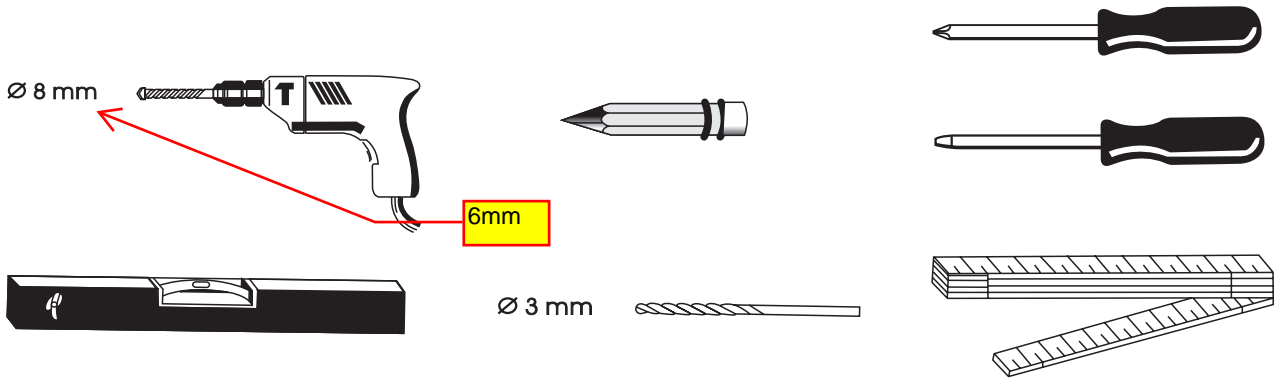


vivid

SHOWERWALL

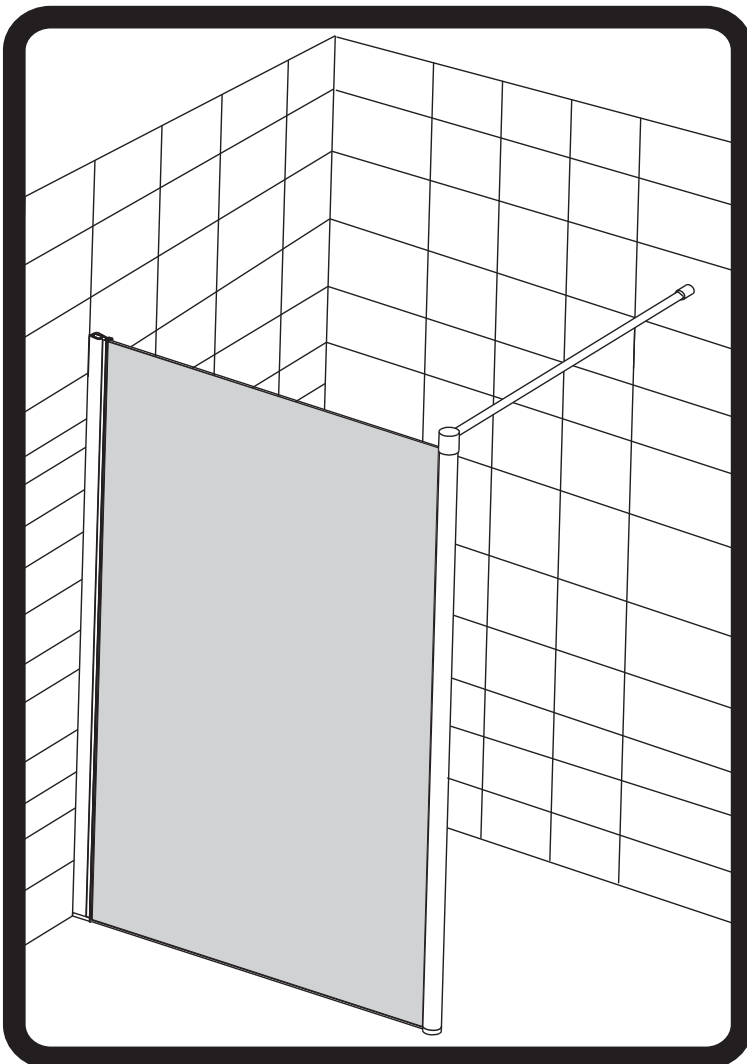
OPTION - WALL SUPPORT



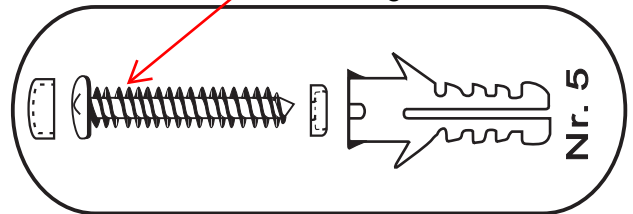
IMPORTANT

Any parts missing or damaged must be reported to your supplier within 5 days.

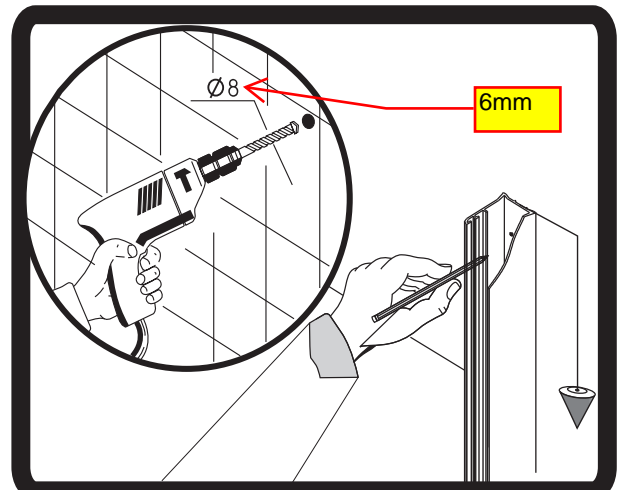
Inspect product before fitting as no claims will be accepted after the product has been installed.

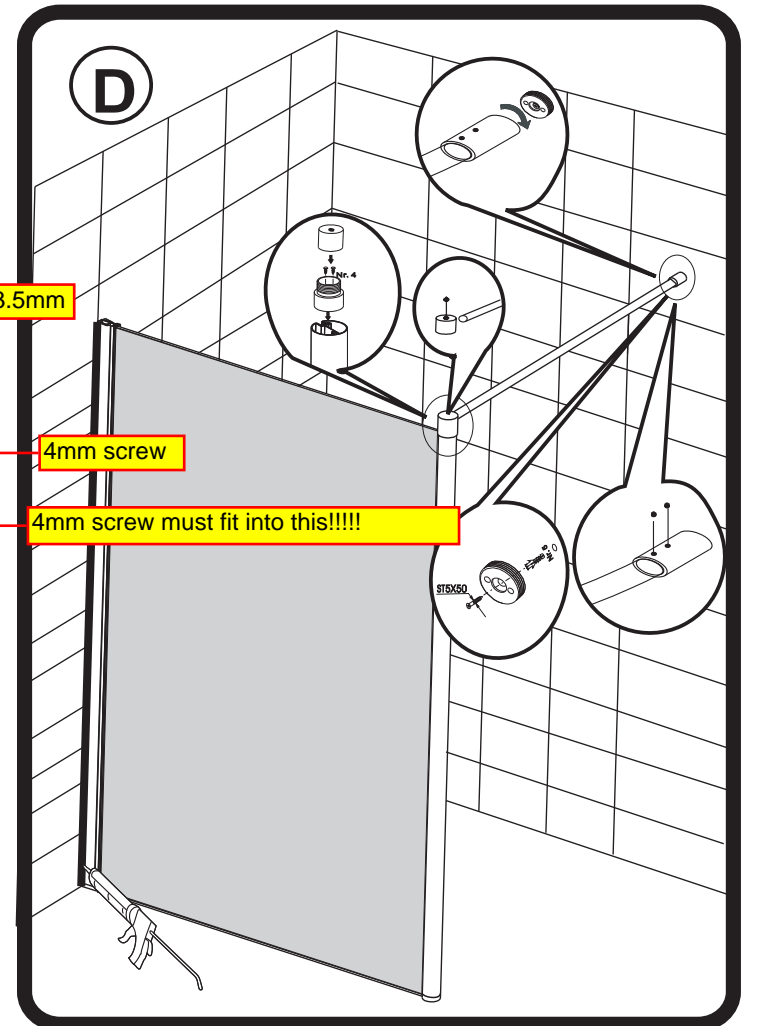
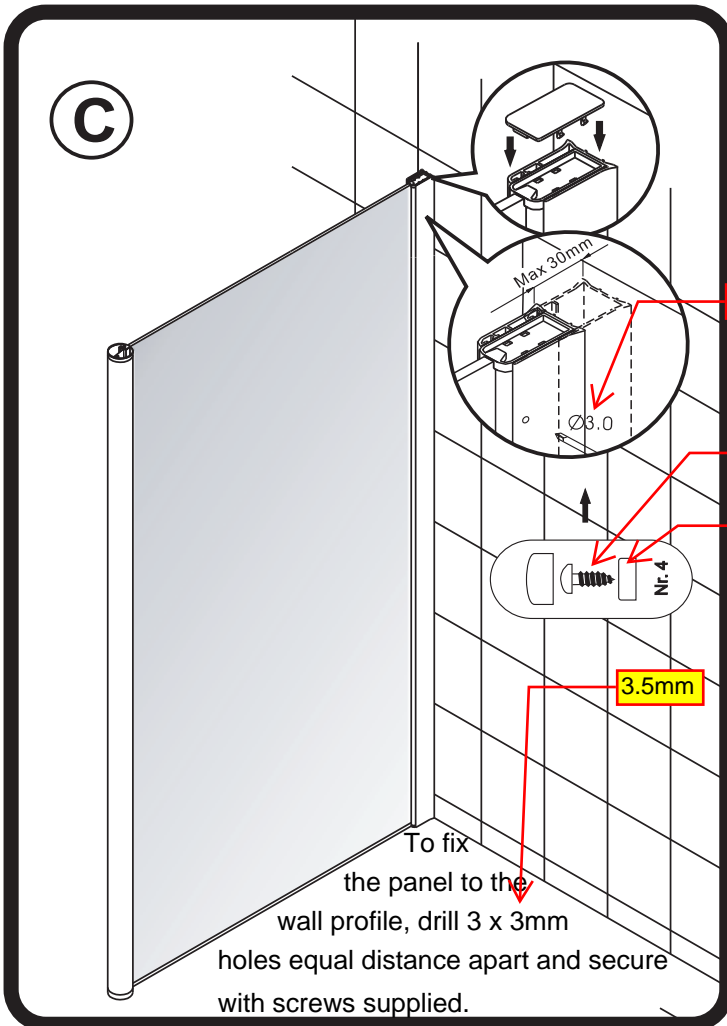
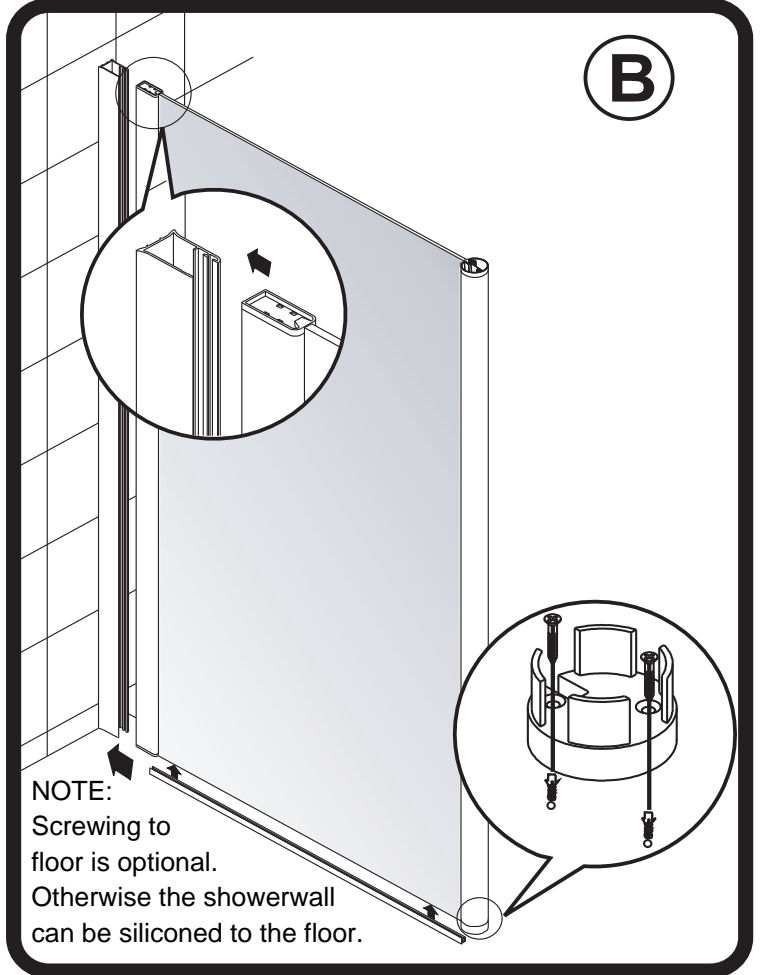
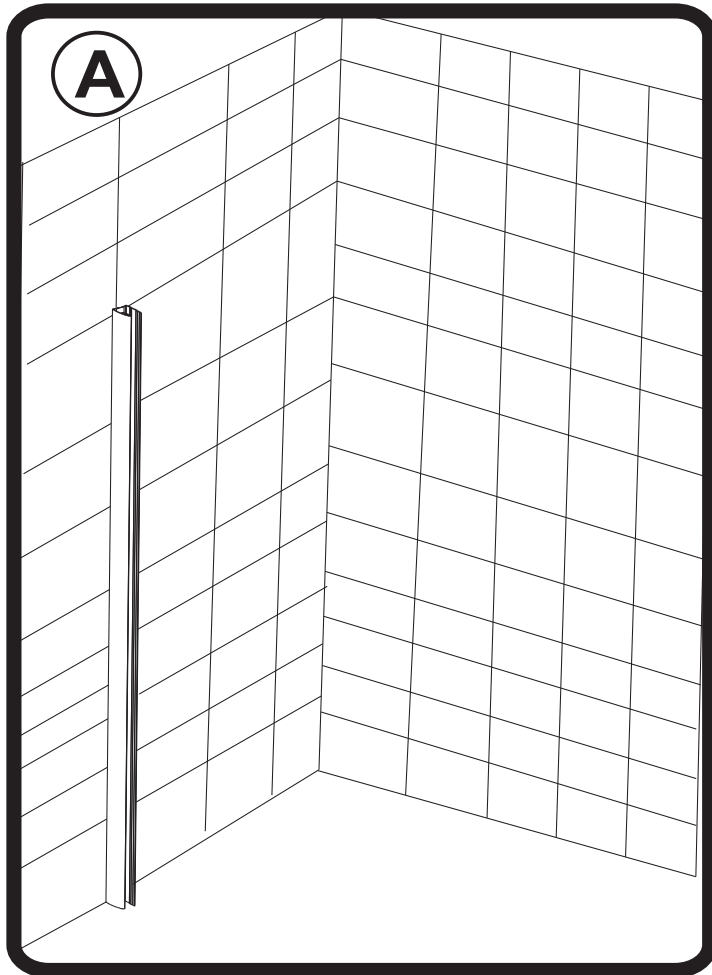


Note: Showerwall is reversible so is suitable for left or right hand use.



1. Plumb wall profile
2. Drill holes
3. Fix wall profile to wall





Sealing (using a clear mould resistant silicone):

Inside: seal top to bottom where wall profile is fixed to the wall. Do not seal where the profile sits on the floor.
Outside: seal all along the outside and 50mm up where the wall profile meets the wall.