

QUADRANT SHOWER ENCLOSURE

Installation Instructions

Note: Failure to follow these instructions may invalidate your guarantee.

Safety warning – Please wear suitable eye and hand safety clothing whilst handling this enclosure

Inspect Contents









Please read these installation instructions carefully before attempting to install the products. Check that none of the parts or fittings are missing and that nothing is damaged. If anything is missing or damaged, contact your place of purchase/retailer within 5 working days.

Note: Ensure the tray is level and sealed on all sides before proceeding with the fitting of the enclosure.

Parts and fittings (fig 1) part codes in bold

- | | | |
|--|--|---|
| 1. Handles x 2 BB6302 | 8. Top Roller Channel x 1 C | 15. Long Upright Seal x 2 BB3302 |
| 2. Wall Plug x 6 BB6304 | 9. Upright profile x 2 BB1302 | 16. Magnetic Strips x 2 BB3304 |
| 3. Screw-small head(4x30mm)x 6 BB4301 | 10. Wall Profile x 2 BB1301 | 17. Rollers x 8 BB6301 |
| 4. Fixed Glass Panel x 2 A | 11. Moving Panel x 2 B | 18. Wedge Gasket x 2 BB3306 |
| 5. Screw Cover Clip x 12 BB2303 | 12. Screw- big head (4x30) x 8 BB4302 | Upright Cover Cap x 2 BB2306 |
| 6. Screw (4x16mm) x 6 BB4303 | 13. Bottom Roller Channel x 1 C | Wall Profile Cap x 2 BB2301 |
| 7. Screw Cover Cap x 12 BB2302 | 14. Short Upright Seal x 2 BB3303 | |

Tools Required

- | | | | | | |
|--------------|---|------------------------|---|----------------------|---|
| Power Drill |  | #2 Philips Screwdriver |  | Drill Bits, 3mm, 6mm |  |
| Hammer |  | Tape measure |  | Pencil |  |
| 12mm Spanner |  | Spirit Level |  | | |

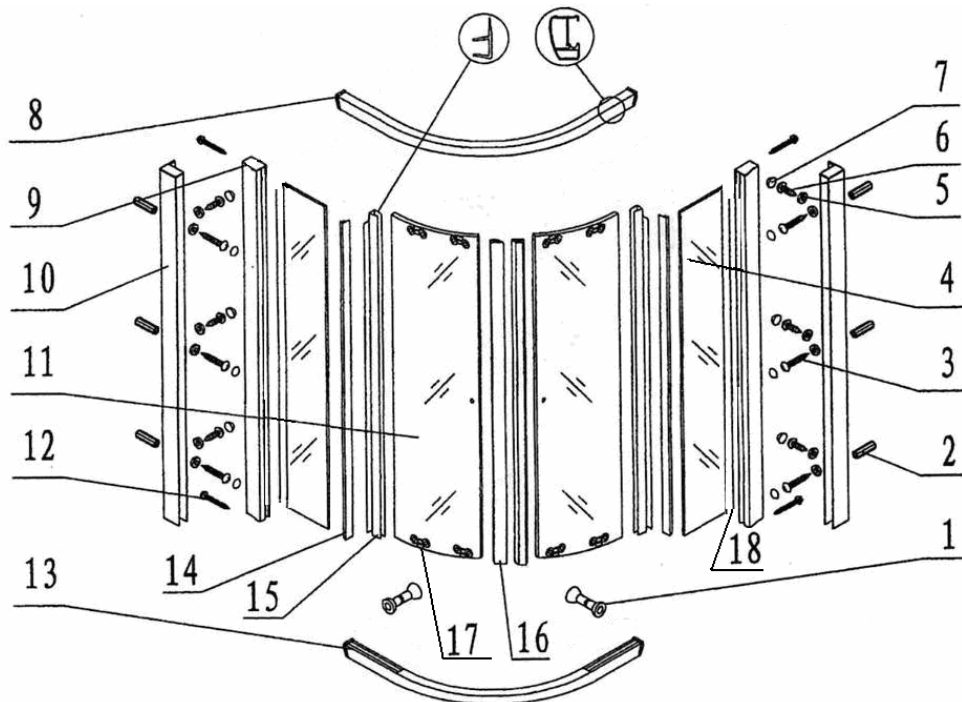


Fig 1

Installation

1. Plumb the wall profiles using the vertical element of the spirit level.
2. Mark holes, drill and fit wall plugs **BB6304**.
3. Using the three Screw **BB4301**, Screw cover caps **BB2302** and screw cover cap clips **BB2303**, fix each wall profiles to wall. **Fig 2**.
4. Assemble one bottom roller channel **C** to the upright profile **BB1302** using two screws **BB4302**. Insert the fixed glass panel **A** into bottom roller channel and the upright profile **C**. Repeat for the other upright profile and fixed glass panel. Fix the top roller channel **C** to the glass and upright profiles, fix with 2 screws **BB4302** in each corner **Fig 3**.
5. Push in the wedge gaskets **BB3306** into the frame on the inside where the glass inserts into the upright profiles. Ensure there is no gap at the bottom. Cut to length if required. Place the frame into the wall profiles.

NOTE: If you have a finish tile measurement near the minimum adjustment:

Step 1: Only fix one wall profile to the wall.

Step 2: Insert the second wall profile into the frame,.

Step 3: place the frame onto the tray, insert into the fixed wall profile.

Step 4: adjust the unfixd wall profile out to the wall and fix.

6. Assemble the 4 rollers **BB6301** onto each moving glass panel **B** by opening the covers on the roller bracket and loosening the nuts on all rollers on each door. Ensure the rollers are hanging the correct way. **Insert Fig 5**.
7. Fit the moving panels **B** to the top and bottom channels **C**. **Fig 5**.
8. Ensure the top and bottom roller channels are pressed on fully to the fixed panel. A measurement of **1850 +/- 2mm** should be achieved between top and bottom profiles (i.e. total height of enclosure) at the left and right upright profile and at centre of curved section. **This is essential to achieve proper fitting of door panel**.
9. Ensure the enclosure is level and sides vertical and doors rolling smoothly.
10. From inside the enclosure, using a 3mm drill bit supplied, drill 3 holes through the fixed panel profile into the wall profile and secure with Screws **BB4303**, with Screw cover caps **BB2302** and screw cover cap clips **BB2303**.
11. Fit the magnetic seals **BB3304** to the closing edge of the moving panels.
12. Fit the long upright seal **BB3302** to the back edge of the moving panel **B**. (wiper blade facing out).
13. Fit the short upright seal **BB3303** to the edge of the fixed panel **A**. (wiper blade facing in).
14. Align the door, to ensure the magnetic seal are sealing evenly along the full length of the door and the door sliding action is smooth, by adjusting the door rollers. Tighten the nut on the roller brackets when alignment is achieved and close covers.
15. Fit the door knobs **BB6302** using the plastic washers and threaded bar. **Fig 5**. Fit Upright and wall profile cover caps **BB2306 / BB2301**.

Sealing Fig 6

Inside: Dashed line

When installation is complete seal the joint between the wall profile and the wall, top to bottom on the inside only. **DO NOT SEAL** where the wall profile sits on the tray. **DO NOT SEAL** any parts of the enclosure that sits on the tray on the inside of the enclosure.

Outside: Full Black line

From outside the enclosure **SEAL** the joint between the bottom roller channel and the shower tray, full length from left to right side and approx 50mm up on the wall profile on either side Also seal any frame Joints on the bottom (Upright profile **BB1301** to bottom roller channel **C**)

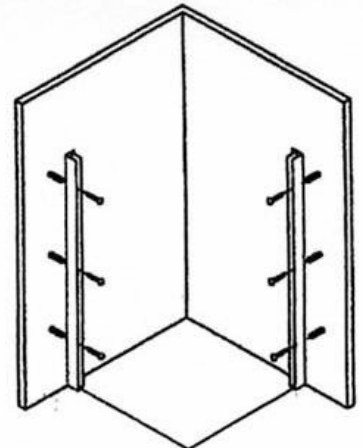


Fig 2

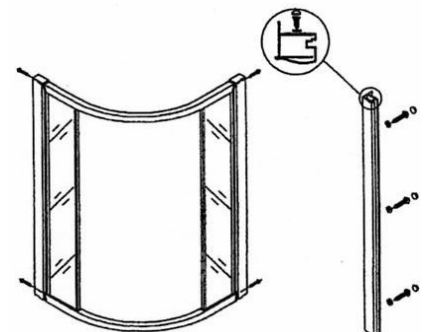


Fig 3

Fig 4

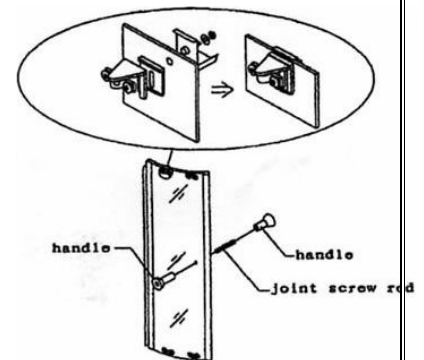


Fig 5

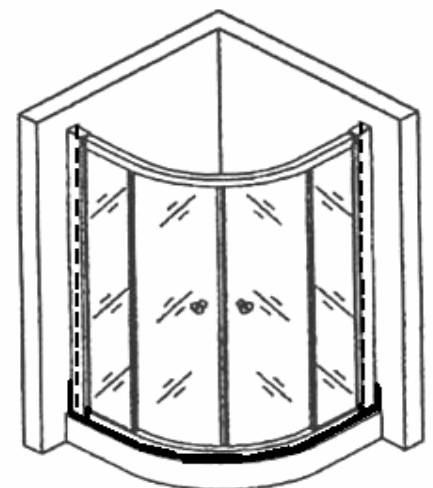


Fig 6

**DO NOT USE FOR
24 HOURS AFTER SEALING**