

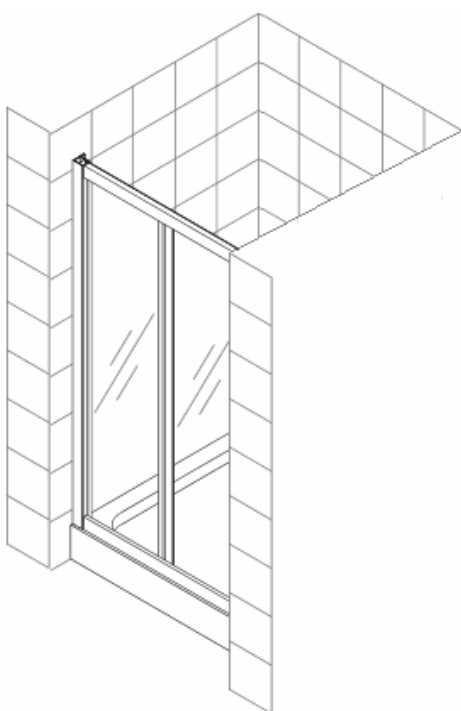
BLACK BOX BIFOLD DOOR (ALSO WITH SIDE PANEL)

Installation Instructions

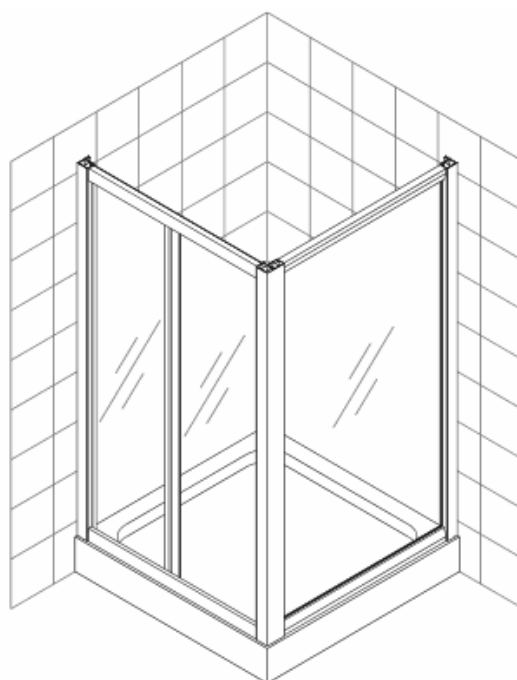
Inspect Contents

Please read these installation instructions carefully before attempting to install the products. Check all fittings and components. If anything is missing or damaged, report it to your supplier within 5 working days.

NOTE: No claims will be accepted once the product has been installed.
Ensure the tray is level and sealed on all sides before proceeding with the fitting of the enclosure.



Bifold in Recess



Bifold with Side Panel

Parts and fittings (part codes in bold)

Door only

- | | | | |
|-----------------------|--------------|-------------------------------|--------------|
| 1. Wall Profile x 2 | O1150 | 7. Wall profile Screw Cap x 6 | O2151 |
| 2. Screw (4x30mm) x 6 | O4152 | 8. Screw cover caps x 6 | O2151 |
| 3. Screw (4x10mm) x 6 | O4153 | 9. Screw cover cap clip x 6 | O2152 |
| 4. Wall Plug x 6 | O6152 | | |

Extra if using side Panel

- | | | | |
|---------------------|--------------|------------------------------|--------------|
| 5. Corner Post x 1 | O1151 | 10. Screw cover caps x 6 | O2151 |
| 6. Screw (4x10) x 6 | O4153 | 11. Screw cover cap clip x 6 | O2152 |

Tools Required

- | | |
|------------------------|------------------------|
| Power Drill | Pencil |
| Spirit Level | Tape Measure |
| Philips #2 Screwdriver | Drill Bits, 3.5mm, 6mm |

Installation

Illustrations show fitting with side panel –if door only, fit between two adjacent walls and follow similar procedure

1. Plumb the wall profiles using the vertical element of the spirit level. Mark drill Holes.
2. Drill with 6mm drill bit, and fit wall plugs **O6152 Fig 2**
3. Using the Screw **O4152**, fix wall profiles **O1150** to wall.
4. **Door Only** - Slot the door frame into both wall profiles and position centrally between them.

Note: If the door is close to its minimum adjustment put the wall profiles onto the door frame first, then position the door onto the tray and finally fix wall profiles to the wall.

Door & Side Panel – Slot door into wall profile on one side. Then position the side panel with corner post into the other wall profile. Finally slot the corner post onto the Bifold door.

Fig 3

5. Ensure the enclosure is level and sides vertical. Door must be square in wall profiles/corner post to ensure it rolls and closes correctly.
6. Using a 3.5mm drill bit, drill through the wall profile into fixed panel profile and secure with screws **O4153**, with screw cover caps **O2151W** and screw cover cap clips **O2152**.

Sealing

Use a quality mould resistant silicone

Inside (dashed line fig 4)

When installation is complete seal the joint between the wall profile and the wall, top to bottom on the inside only. DO NOT SEAL where the wall profile sits on the tray. DO NOT SEAL any parts of the enclosure that sits on the tray on the inside of the enclosure. **Fig 4**

Outside (full line fig 4)

From outside the enclosure seal the joint between the bottom roller channel and the shower tray as illustrated, and approx 50mm up on the wall profile on either side. Also seal the bottom frame joints on the outside. **Fig 4**

**IMPORTANT:
DO NOT USE FOR
24 HOURS AFTER
SEALING**

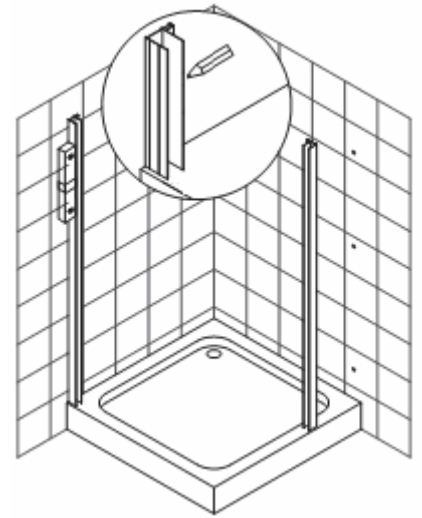


Fig 1

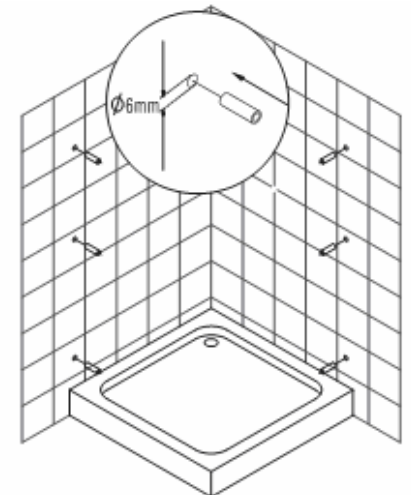


Fig 2

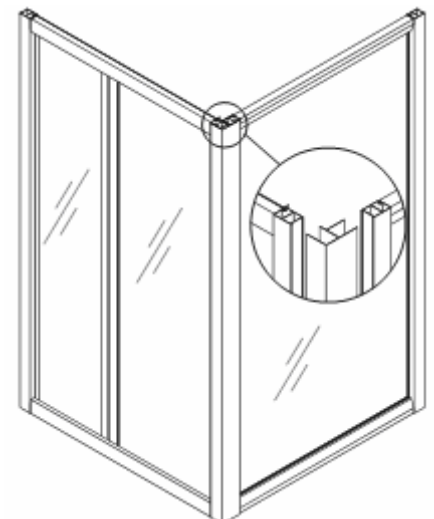


Fig 3

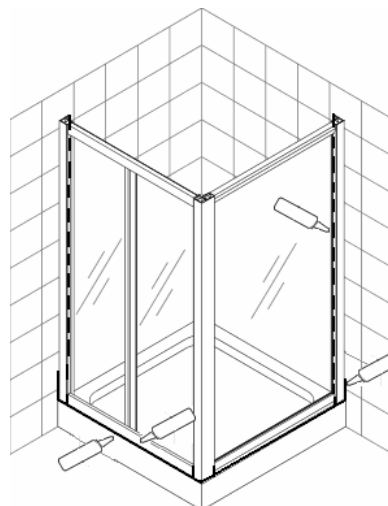


Fig 4