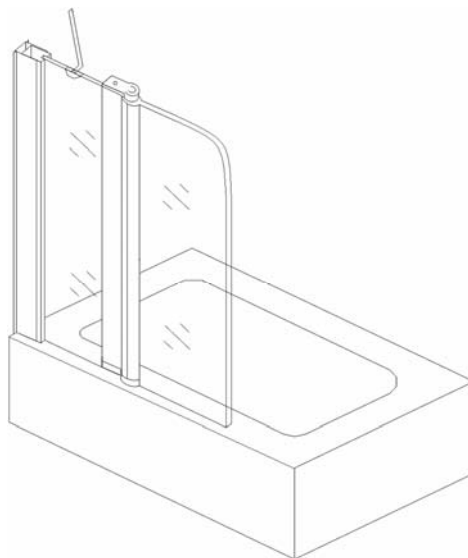
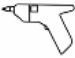








# 2 PANEL BATHSCREEN

## Installation Instructions



### Tools Required

Power Drill		Pencil		Steel Drill bit, 3.5mm	
Spirit Level		Masonry Drill Bit 6mm		#2 Philips Screwdriver	
Tape measure					

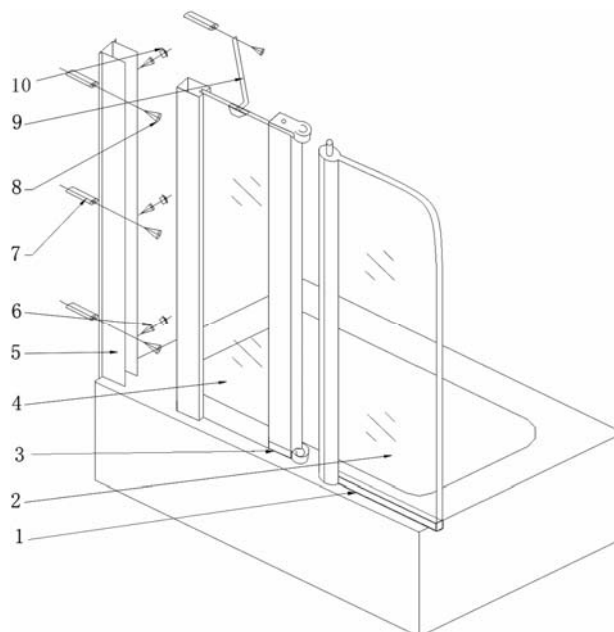
### Inspect Contents

Please read these installation instructions carefully before attempting to install the products. Check that none of the parts or fittings are missing and that nothing is damaged. If anything is missing or damaged, contact your place of purchase/retailer within 5 working days.

Ensure your bath is level before fitting. This screen is not designed to fit on baths with stepped fronts, roll top rims or integral soap dishes.

### Parts and fittings (fig 1) part codes in bold

- |  |                                   |   |
|--|-----------------------------------|---|
| 1. Clear Seal <b>BS3002</b> (see fig7) | 5. Wall Profile <b>BS1001</b>     | 9. Stabilising Bar <b>BS6011</b>        |
| 2. Moving Glass Panel <b>A</b>         | 6. Screw (4 x 12mm) <b>BS4004</b> | 10. Screw Cover Cap <b>BS2003</b>       |
| 3. Hinge Bracket <b>BS6001</b>         | 7. Wall Plug <b>BS6004</b>        | Wall Profile Cover Caps <b>BS2001</b>   |
| 4. Fixed Panel <b>B</b>                | 8. Screw (4 x 35mm) <b>BS4002</b> | Upright profile Cover cap <b>BS2002</b> |



**FIG 1**

## Installation

1. Position the wall profile **BS1001** so the seal on the moving panel **A** sits on the inside edge of the bath. **Fig 3**
2. Plumb the wall profiles **BS1001** using the vertical element of the spirit level. Mark 3 holes, drill with 6mm masonry bit and fit wall plugs **BS6004**. Using the 3 Screws **BS4002**, fix wall profiles to wall. **Fig 3**.
3. Insert Fixed panel **B** into the wall profile (do not fix it to the wall profile). Ensure the brackets **BS6001** are facing in the correct direction. **Fig 4**
4. Remove the top Hinge bracket **BS6001** by loosening the screw. Insert the moving panel **B** and reattach the top hinge bracket. **Fig 3**
5. Ensure the bottom seal on the moving panel **A** is parallel to the top surface of the bath. Drill 3 holes through the wall profile and fixed panel using a 3.5mm steel drill bit. Using the Screws **BS4004**, fix the hinge upright to the wall profile in 3 places. **Fig 3**
6. Fit the 3 screw cover caps **BS2003** onto the screws **BS4004**. Fit the cover cap **BS2001** and **BS2002** to the top of the wall profile and upright profile.
7. Place the stabilising bar onto the fixed panel. Mark the fixing point for the bracket to the wall. Use 6mm masonry bit, insert 1 wall plug **BS6004** and fix to wall with 1 screw **BS4002**. Fasten the bracket to the glass keeping the washer on the outside of the glass. Attach cover caps to bracket. **Fig 5**

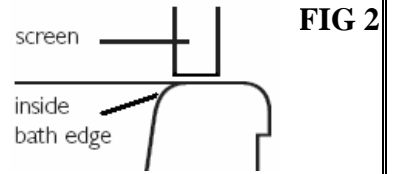


FIG 2

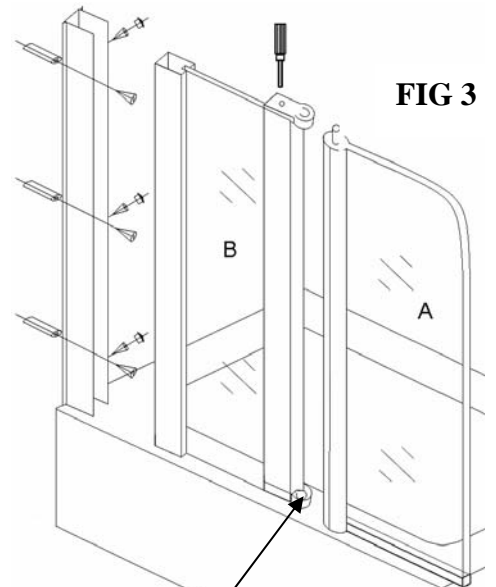


FIG 3

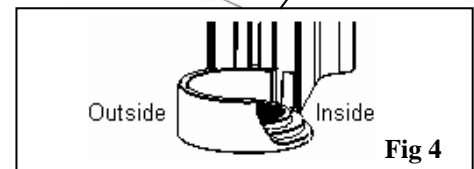


Fig 4

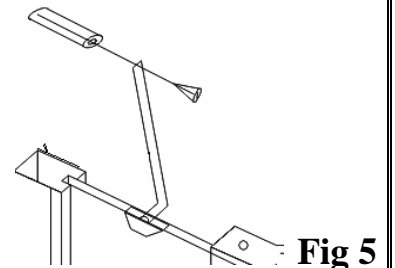


Fig 5

## Sealing Fig 6

### Inside (dashed line):

When installation is complete seal the joint between the wall profile and the wall, top to bottom on the inside only. **DO NOT SEAL** where the wall profile sits on the Bath.

### Outside (full line)

From outside the screen **SEAL** where the fixed panel sits on the bath. Seal 50mm up where the wall profile meets the wall and where the fixed panel upright and the wall profile over lap. **DO NOT USE FOR 24 HOURS AFTER SEALING**

Note for product with **Clear Seal** Only:

If supplied with a clear seal **BS3002**

1. Ensure the deflector on the seal is positioned on the inside.
2. Make a cut on one of the bottom corners of the seal to ensure a correct fit against the hinge bracket – see circled area in **Fig 7**

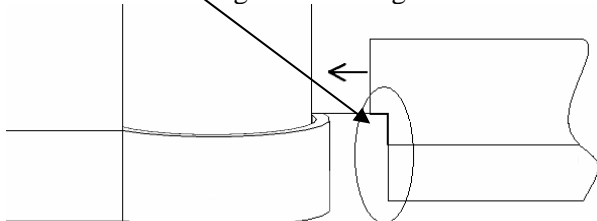


FIG 7

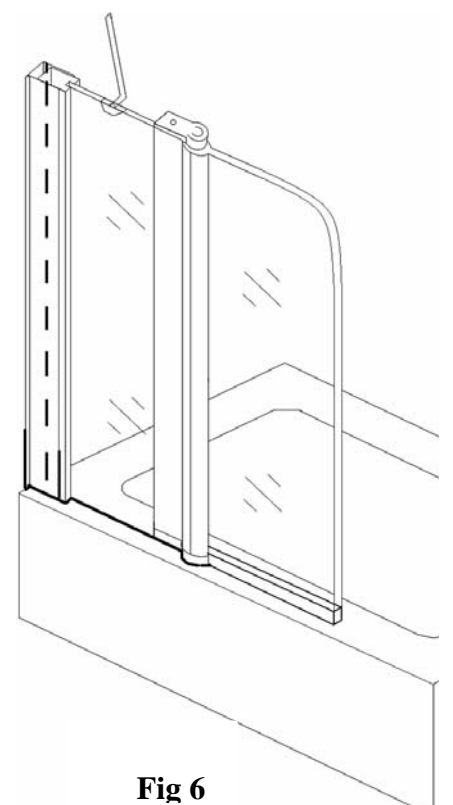


Fig 6