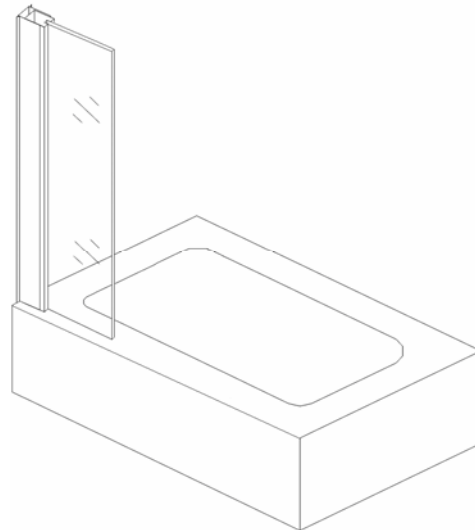









BATH INLINE PANEL

BS9004

Installation Instructions



Tools Required

- | | | | | | |
|--------------|---|-----------------------|---|------------------------|---|
| Power Drill |  | Pencil |  | Steel Drill bit, 3.5mm |  |
| Spirit Level |  | Masonry Drill Bit 6mm |  | #2 Philips Screwdriver |  |
| Tape measure |  | | | | |

Inspect Contents

Please read these installation instructions carefully before attempting to install the products. Check that none of the parts or fittings are missing and that nothing is damaged. If anything is missing or damaged, contact your place of purchase/retailer within 5 working days.

Ensure your bath is level before fitting.

Parts and fittings (fig 1) part codes in bold

- | | | |
|-----------------------------------|-----------------------------------|---|
| 1. Inline Panel A | 4. Wall Plug BS6004 | Wall Profile Cover Caps BS2001 |
| 2. Wall Profile BS1001 | 5. Screw (3 x 35mm) BS4002 | Upright profile Cover cap BS2002 |
| 3. Screw (3 x 12mm) BS4004 | 6. Screw Cover Cap BS2003 | |

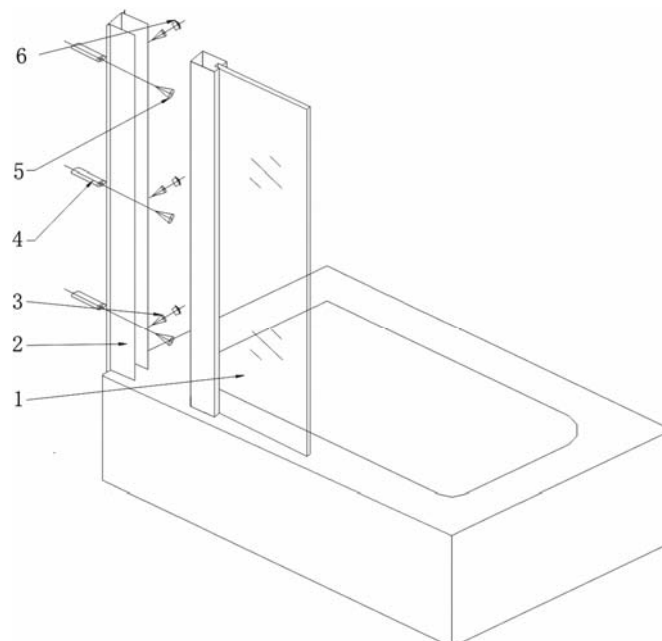


FIG 1

Installation

1. Step the wall profile in from the outside edge of the bath. Plumb the wall profiles **BS1001** using the vertical element of the spirit level.
2. Mark 3 holes, drill with 6mm masonry bit and fit wall plugs **BS6004**. Using the 3 Screws **BS4002**, fix wall profiles to wall. **Fig 2**.
3. Insert the Inline panel **A** into the wall profile **BS1001**.
4. Drill 3 holes through the wall profile and inline using a 3.5mm steel drill bit.
5. Using the Screws **BS4004**, fix the hinge upright to the wall profile in 3 places. **Fig 2**.
6. Fit the 3 screw cover caps **BS2003** onto the screws **BS4004**.
7. Fit the cover cap **BS2001** and **BS2002** to the top of the wall profile and upright profile.

Sealing Fig 3

Inside (dashed line):

When installation is complete seal the joint between the wall profile and the wall, top to bottom on the inside only. DO NOT SEAL where the wall profile sits on the Bath.

Outside (full line)

From outside the screen SEAL where the fixed panel sits on the bath. Seal 50mm up where the wall profile meets the wall and where the fixed panel upright and the wall profile over lap.

DO NOT USE FOR 24 HOURS AFTER SEALING

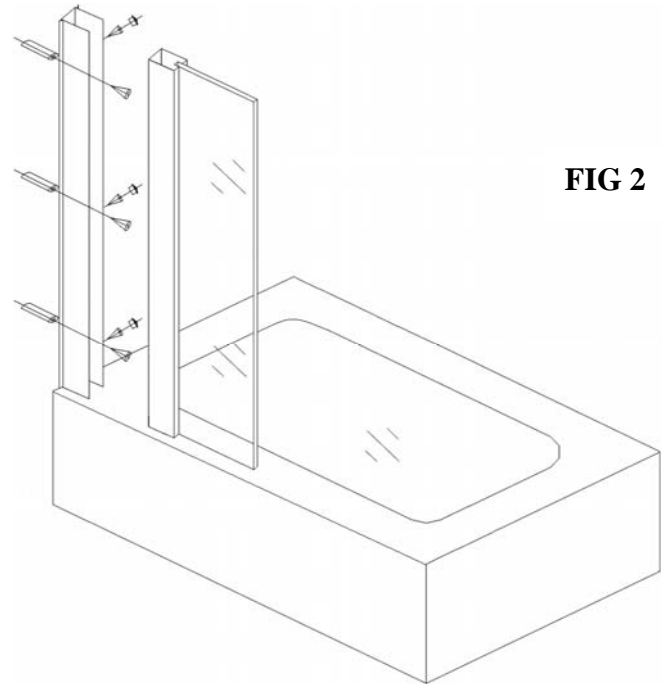


FIG 2

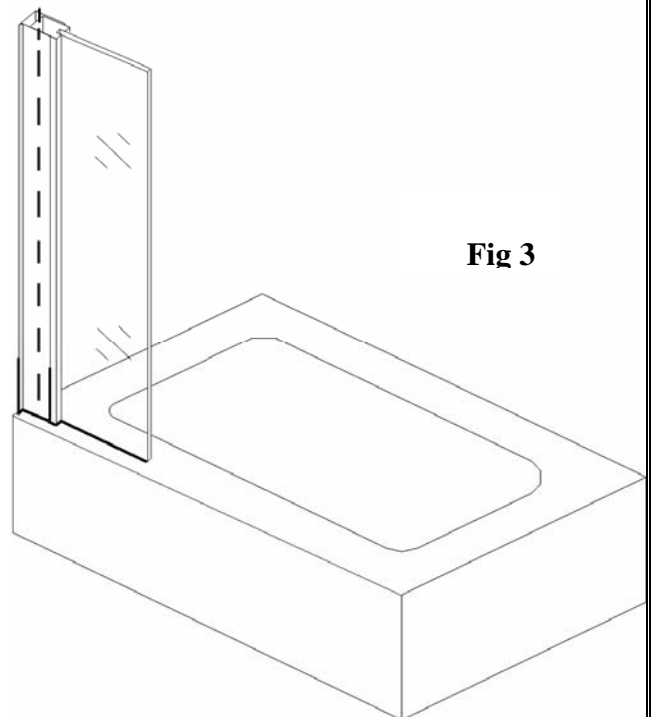


Fig 3