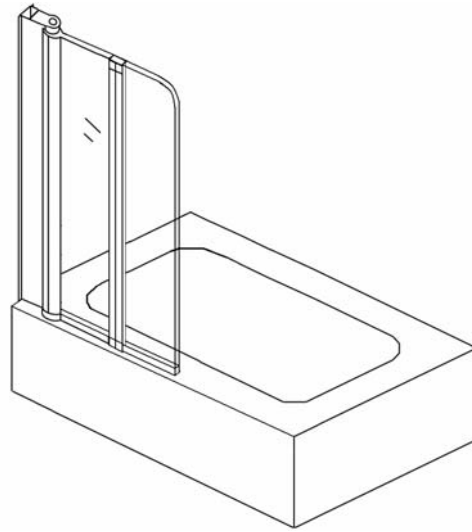
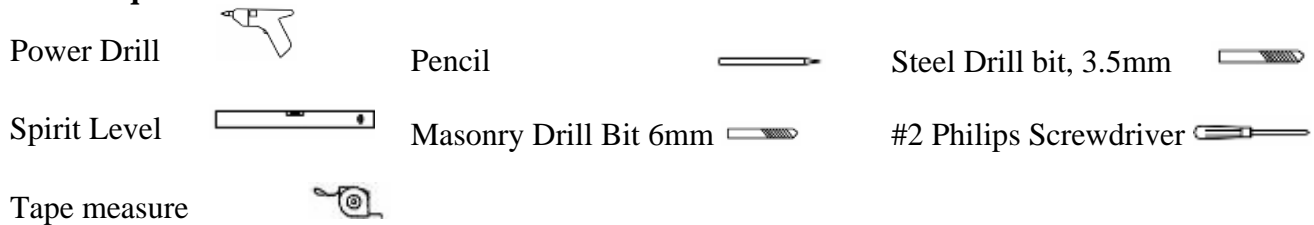


DOUBLE FOLDING BATHSCREEN

Installation Instructions



Tools Required



Inspect Contents

Please read these installation instructions carefully before attempting to install the product. Check that none of the parts or fittings are missing and that nothing is damaged. If anything is missing or damaged, contact your place of purchase/retailer within 5 working days.

Ensure your bath is level before fitting. This screen is not designed to fit on baths with stepped fronts, roll top rims or integral soap dishes.

Parts and fittings (fig 1) part codes in bold

- | | | |
|-------------------------------------|-----------------------------------|---------------------------------------|
| 1. Clear Seal BS3003 / 4 / 5 | 5. Screw (3 x 35mm) BS4002 | 9. Screw Cover Cap BS2003 |
| 2. Moving Glass Panels A | 6. Wall Plug BS6004 | Wall Profile Cover Caps BS2001 |
| 3. Hinge upright BS1011 | 7. Hinge Bracket BS6001 | |
| 4. Wall Profile BS1001 | 8. Screw (3 x 12mm) BS4004 | |

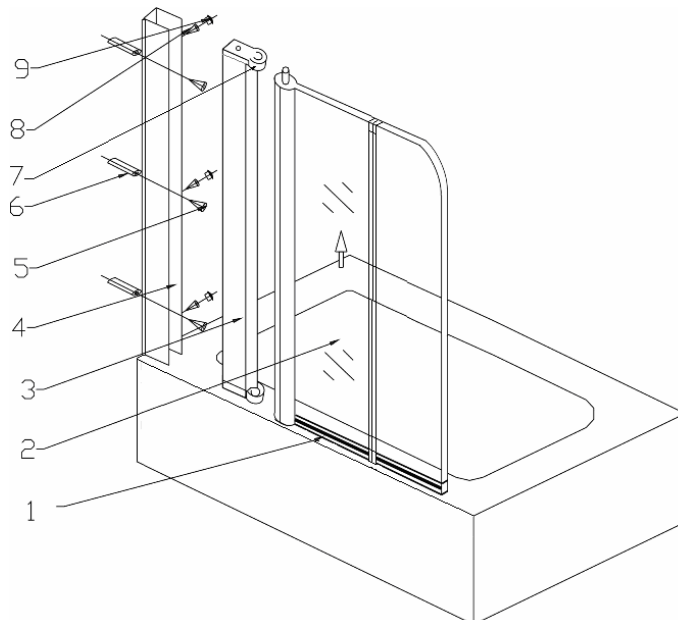


FIG 1

Installation

1. The screen is set up for Left hand use. If you need to reverse it, unscrew **one** of the hinge brackets **BS6001** and remove the moving glass panels **A**.
2. Turn the hinge profile **BS1011** upside down, reinsert the moving panel (do not turn panel upside down). Reattach the hinge bracket **BS6001**. **Fig 2**. The screen can then be fitted on the Right hand Side of the Bath. Ensure the brackets **BS6001** are facing in the correct direction. **Fig 3**
3. Position the wall profile **BS1001** so the seal on the moving panel sits on the inside edge of the bath. **Fig 4**.
4. Plumb the wall profiles **BS1001** using the vertical element of the spirit level. Mark 3 holes, drill with 6mm masonry bit and fit wall plugs **BS6004**. Using the 3 Screw **BS4002**, fix wall profiles to wall. **Fig 5**.
5. Insert the screen into the wall profile. Ensure the bottom seal on the moving panels **A** are parallel to the top surface of the bath.
6. Drill 3 holes through the wall profile and fixed panel using a 3.5mm steel drill bit. Using the Screws **BS4004**, fix the hinge upright to the wall profile in 3 places. **Fig 5**.
7. Fit the 3 screw cover caps **BS2003** onto the screws **BS4004**. Fit the profile cover cap **BS2001** to the top of the wall profile

Sealing. Fig 6

Inside (dashed line):

When installation is complete seal the joint between the wall profile and the wall, top to bottom on the inside only. DO NOT SEAL where the wall profile sits on the Bath.

Outside (full line)

From outside the screen, SEAL where the wall profile and hinge bracket sit on the bath. Seal 50mm up where the wall profile meets the wall and where the hinge upright and the wall profile over lap.

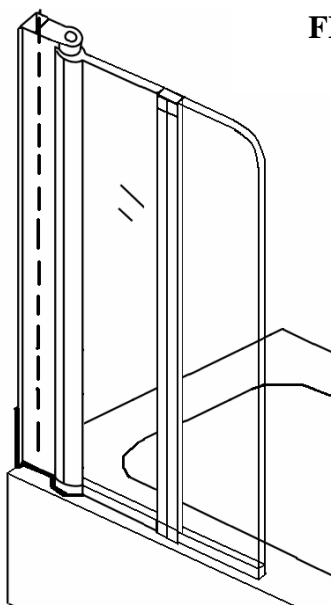


FIG 6

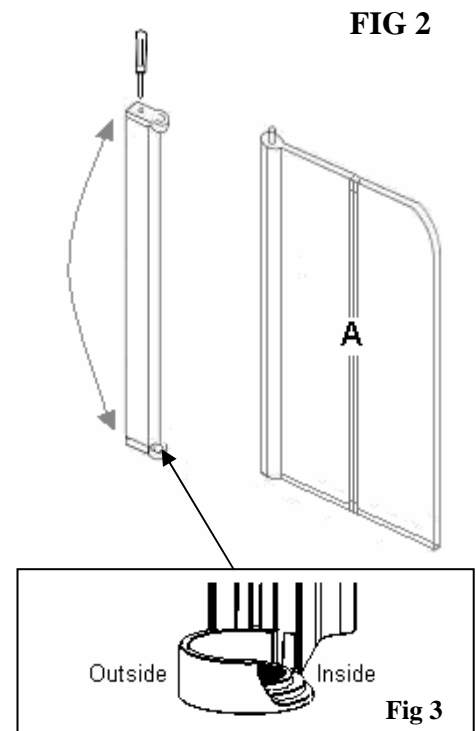


FIG 2

Fig 3

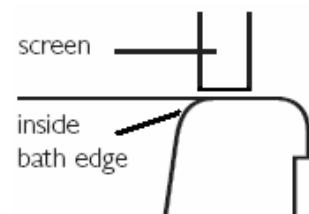


FIG 4

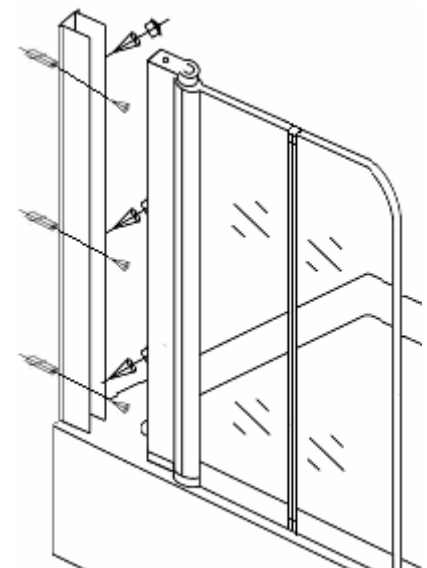


FIG 5

**DO NOT USE FOR 24
HOURS AFTER SEALING**