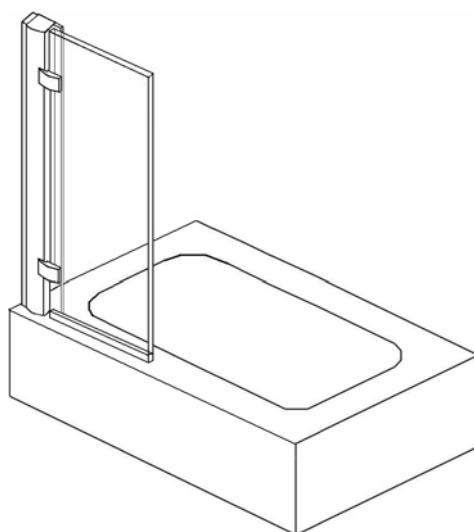


# HINGE BATHSCREEN

## Installation Instructions



### Tools Required



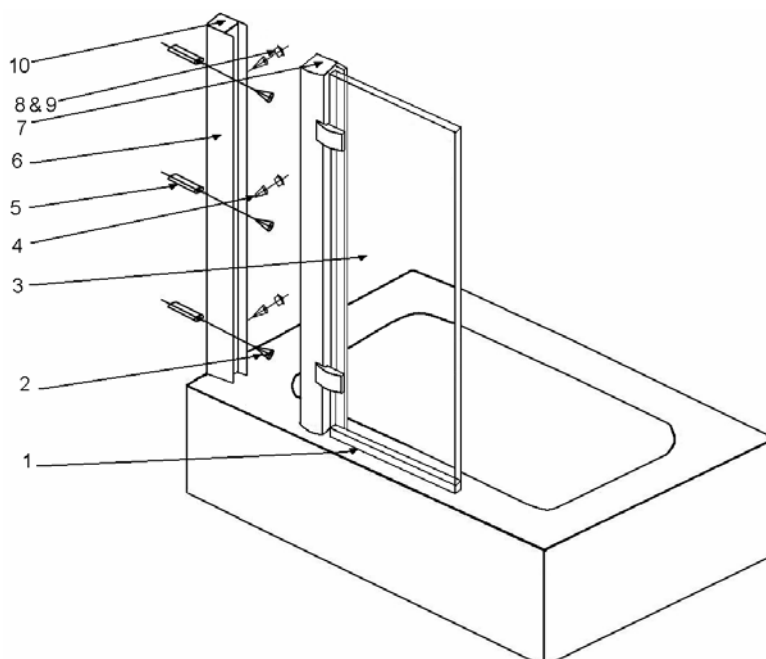
### Inspect Contents

Please read these installation instructions carefully before attempting to install the product. Check that none of the parts or fittings are missing and that nothing is damaged. If anything is missing or damaged, contact your place of purchase/retailer within 5 working days.

Ensure your bath is level before fitting. Screen is not designed to fit on baths with stepped fronts, roll top rims or integral soap dishes.

### Parts and fittings (fig 1) part codes in bold

- |                                  |                                   |                                      |
|----------------------------------|-----------------------------------|--------------------------------------|
| 1. Seal <b>V3122</b>             | 5. Wall Plug <b>V8117</b>         | 9. Screw Cover Cap Clip <b>V2110</b> |
| 2. Screw (3 x 25mm) <b>V4111</b> | 6. Wall Profile <b>V1118</b>      | 10. Wall Cover cap <b>V2104</b>      |
| 3. Moving Glass Panel <b>A</b>   | 7. Upright Cover cap <b>V2102</b> | 11. Drill Bit <b>V6115</b>           |
| 4. Screw (3 x 12mm) <b>V4110</b> | 8. Screw Cover Cap <b>V2109</b>   |                                      |



**FIG 1**

## Installation

1. Position the wall profile **V1118** so the moving panel sits on the inside edge of the bath. **Fig 2**.
2. Ensure the shorter side on the wall profile is to the outside. **Fig 3**
3. Plumb the wall profiles **V1118** using the vertical element of the spirit level. Mark 3 holes, drill with 6mm masonry bit and fit wall plugs **V8117**. Using the 3 Screws **V4111**, fix wall profiles to wall. **Fig 4**.
4. Note: screen is reversible. Insert the screen into the wall profile. Ensure the bottom of the moving panel **A** is parallel to the top surface of the bath.
5. Drill 3 holes through the wall profile and frame profile using the steel drill bit **V6115**. Use screws **V4110**, with screw cover cap clips **V2110** to fix the hinge upright to the wall profile in 3 places. **Fig 4**.
6. Fit the 3 screw cover caps **V2109** onto the screw cover cap clips. Fit the wall profile cover cap **V2104** and upright profile cover cap **V2102**.
7. Bottom gasket: **Fig 5**
  - Ensure the deflector on the seal is towards the inside.
  - **On the hinge side only**, cut a small section 14mm long off the end of the seal (as indicated by the grey area) so the glass closes directly onto cushion seal on the upright profile.

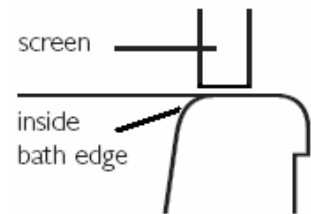


FIG 2

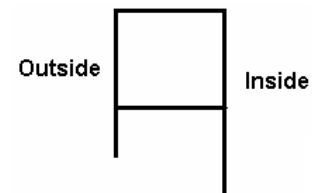


FIG 3

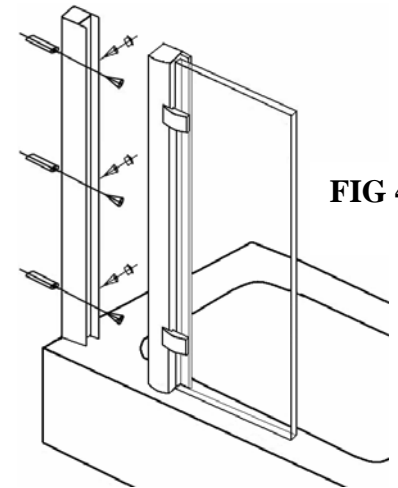


FIG 4

## Sealing. Fig 6

### Inside (dashed line):

When installation is complete seal the joint between the wall profile and the wall, top to bottom on the inside only. **DO NOT SEAL** where the wall profile or upright profile sits on the Bath.

### Outside (full line)

From outside the screen **SEAL** where the wall profile and upright profile sit on the bath. From the bottom, seal 50mm up where the wall profile meets the wall and where the upright profile and the wall profile over lap.

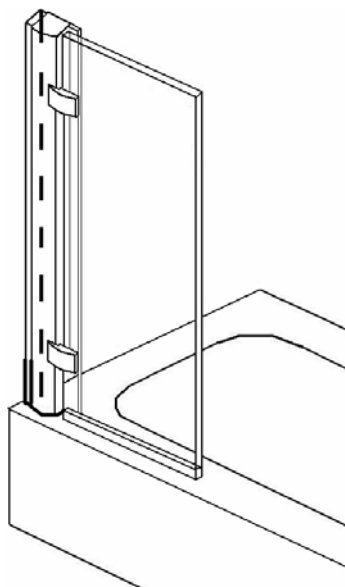


FIG 6

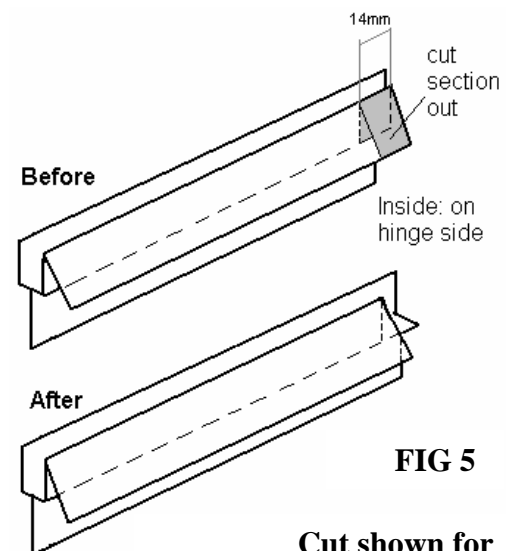


FIG 5

Cut shown for  
left hand  
installation

**DO NOT USE FOR 24  
HOURS AFTER SEALING**