

# ROUND / SQUARE TOP BATHSCREEN

## IMPORTANT

**Thank-you for choosing Merlyn. Please familiarise yourself with the fitting instructions before commencing fitting.**

- 1 Check that you have the tools required
- 2 Check the installation site is compatible with size of door supplied
- 3 Check all the enclosure components
- 4 Check the installation kit is complete

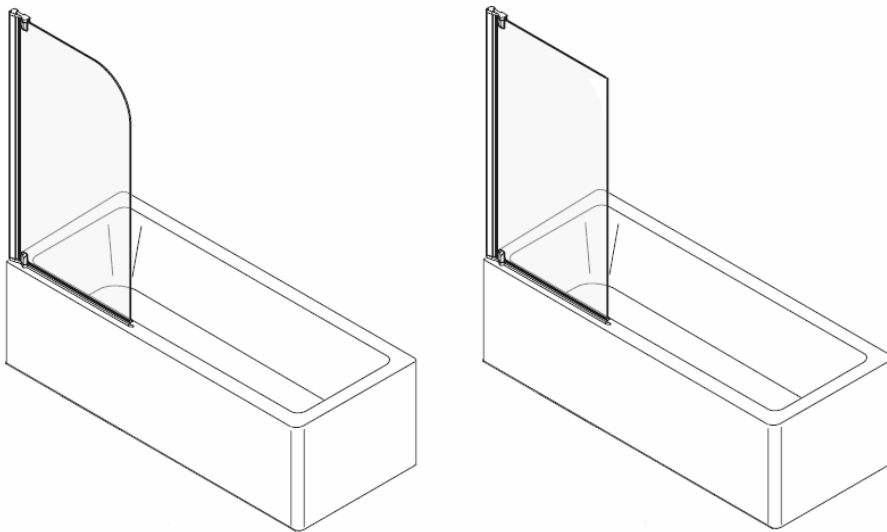
**DO NOT** attempt to install the product unless you can tick **ALL 4** boxes above as satisfactory.

The wall plugs supplied with the installation kit are for use in solid walls. Hollow or 'stud-partition' walls will require alternative fixings. Please consult a hardware supplier for the correct type.

It may also be necessary to consult your tiling supplier about the correct method for drilling your tiles.

### USE SAFETY EYEWEAR WHEN DRILLING

Any parts missing or damaged must be reported to your supplier within 5 days of purchase. Inspect shower enclosure before fitting no claims will be accepted after product has been installed.



LEFT HAND SHOWN

### Tools Required

Power Drill



Tape measure



Masonry Drill Bit 6mm



Spirit Level



Pencil



#2 Philips Screwdriver



### Note:

Ensure your bath is level before fitting. This screen is not designed to fit on baths with stepped fronts, roll top rims or integral soap dishes.

### Parts and fittings



1005 x 3



1004 x 3



1008 x 2



2003 x 1



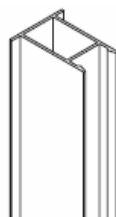
1001 x 1



1035 x 1



1078 x 1



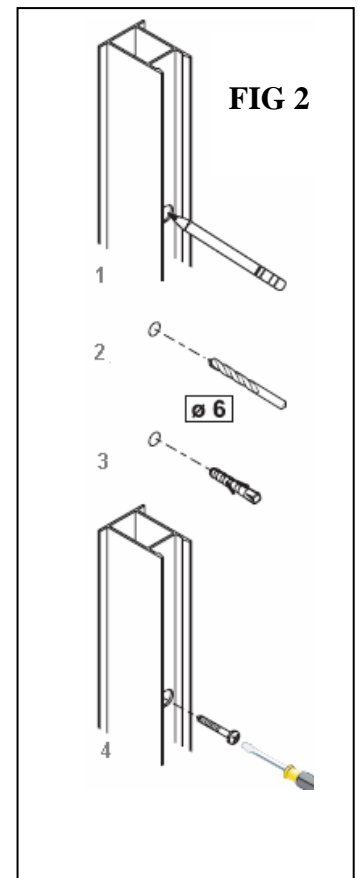
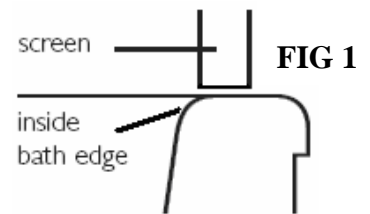
1250 x 1



1251 x 1

## Installation

1. Position the wall profile **1250** so the seal on the moving panel sits on the inside edge of the bath. **Fig 1**.
2. Plumb the wall profiles **1250** using the vertical element of the spirit level. Mark 3 holes, drill with 6mm masonry bit and fit wall plugs **1004**. Using the 3 Screw **1005**, fix wall profiles to wall. **Fig 2**.
3. Insert the screen into the wall profile. Ensure the Glass spacer **2003** is on the bottom of the moving panel. (Bottom seal on the moving panel should be parallel to the top surface of the bath) **Fig 3**.
4. Drill 2 holes through the wall profile and pivot upright profile using a steel drill bit **1001**. Using the Screws **1008**, fix the pivot upright profile to the wall profile in 2 places. **Fig 3**.
5. Fit the trim strip **1251** to the inside **Fig 3. Step 8**
6. Apply silicone to the bottom of the Luna rail **1078** and Luna rail end **1035**. Insert Luna rail into the bottom pivot and align parallel to the bath edge. Insert luna rail end into luna rail. **Fig 4**



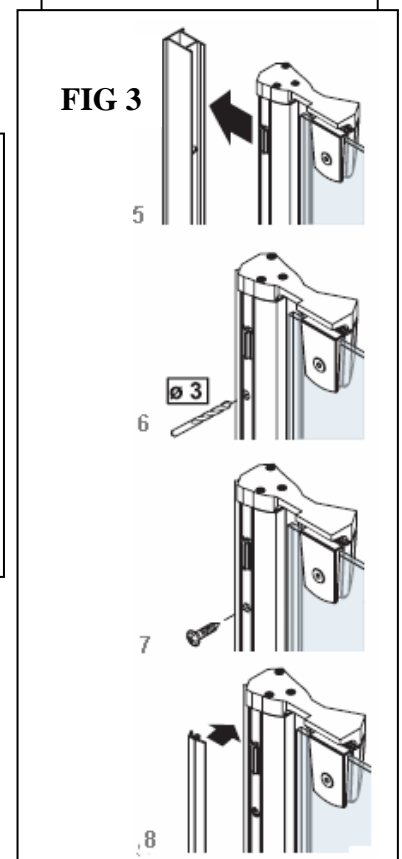
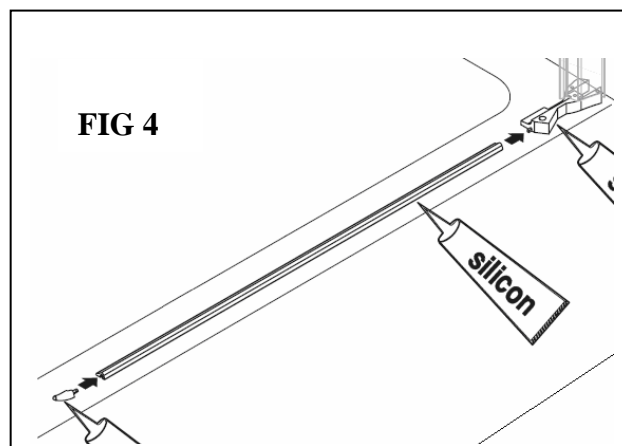
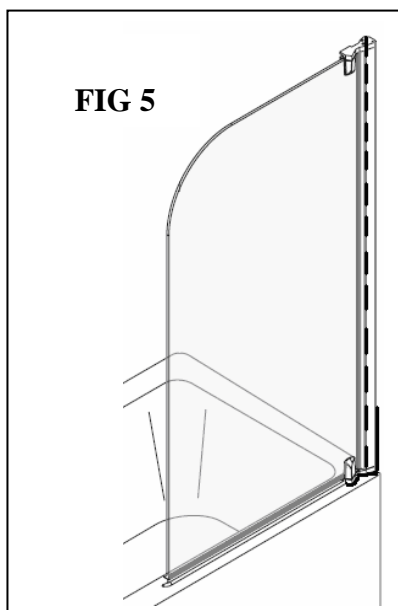
### Sealing. Fig 5

#### Inside (dashed line):

When installation is complete seal the joint between the wall profile and the wall, top to bottom on the inside only. DO NOT SEAL where the wall profile sits on the Bath.

#### Outside (full line)

From outside the screen, SEAL where the wall profile and Pivot bracket sit on the bath. Seal 50mm up where the wall profile meets the wall and where the pivot upright and the wall profile over lap.



**DO NOT USE FOR 24 HOURS AFTER SEALING**

### SQUARE & ROUND TOP BATHSCREEN

WE ARE SURE YOU WILL BE PLEASED WITH YOUR NEW MERLYN SHOWER DOOR.

Where a shower door has been installed contrary to these instructions, Merlyn cannot accept responsibility for any loss or damage, however caused, and any on-site service may incur a charge.

www.merlynbathrooms.com 00 353 56 7791555