

Pivot Door

IMPORTANT

Thank-you for choosing Merlyn. Please familiarise yourself with the fitting instructions before commencing fitting.

- 1 Check that you have the tools required
- 2 Check the installation site is compatible with size of door supplied
- 3 Check all the enclosure components
- 4 Check the installation kit is complete

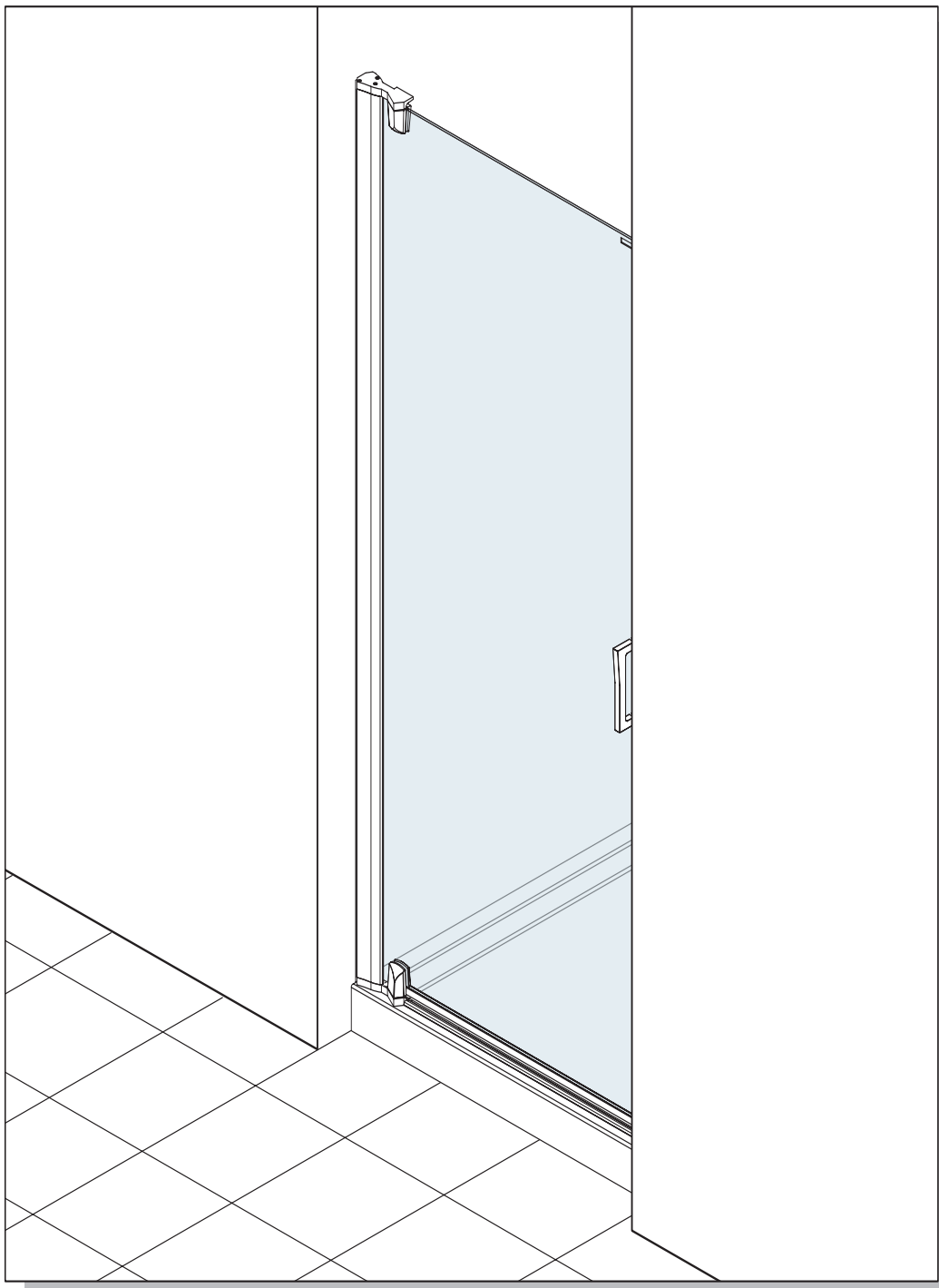
DO NOT attempt to install the product unless you can tick **ALL 4** boxes above as satisfactory.

The wall plugs supplied with the installation kit are for use in solid walls. Hollow or 'stud-partition' walls will require alternative fixings. Please consult a hardware supplier for the correct type.

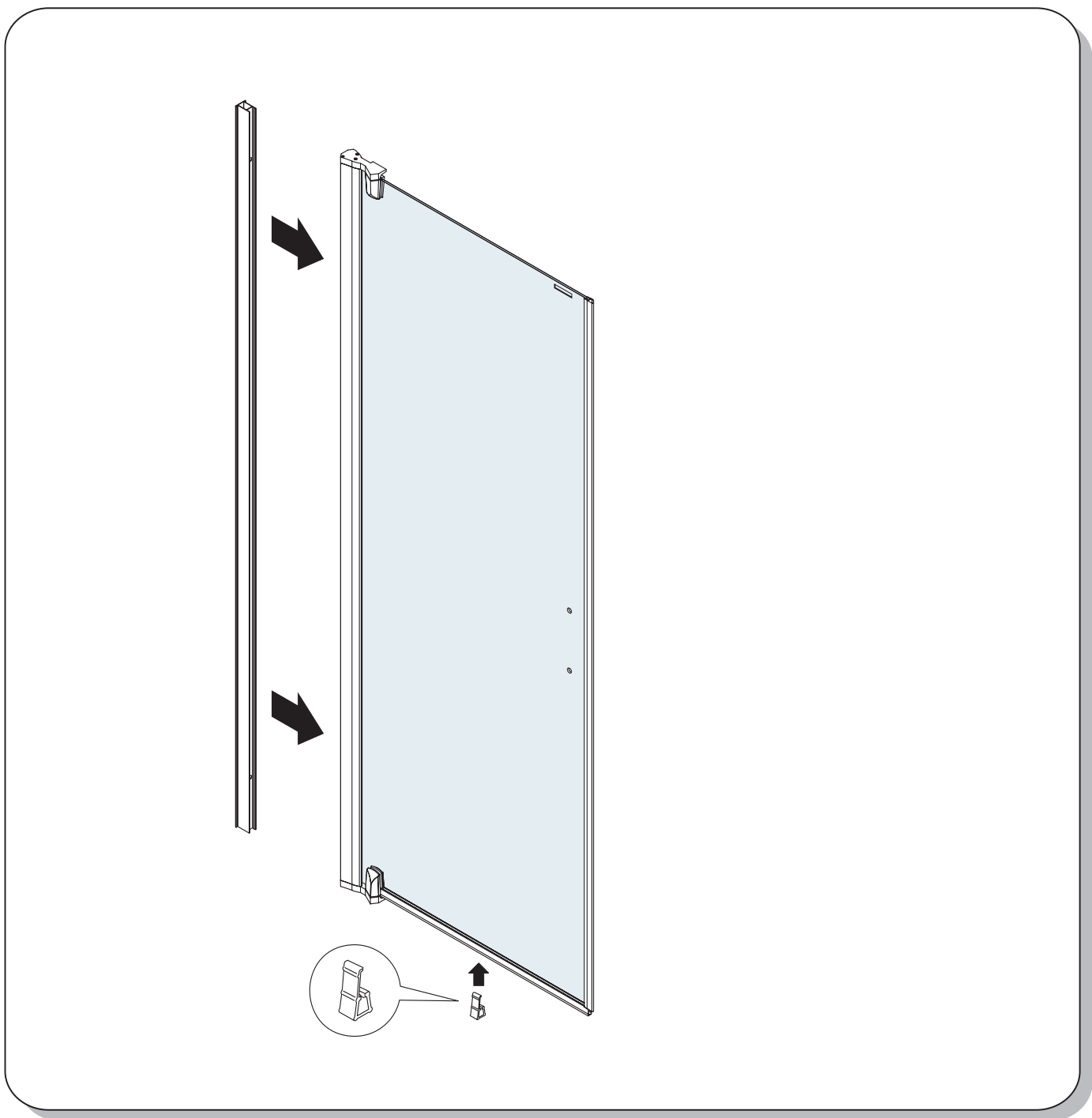
It may also be necessary to consult your tiling supplier about the correct method for drilling your tiles.

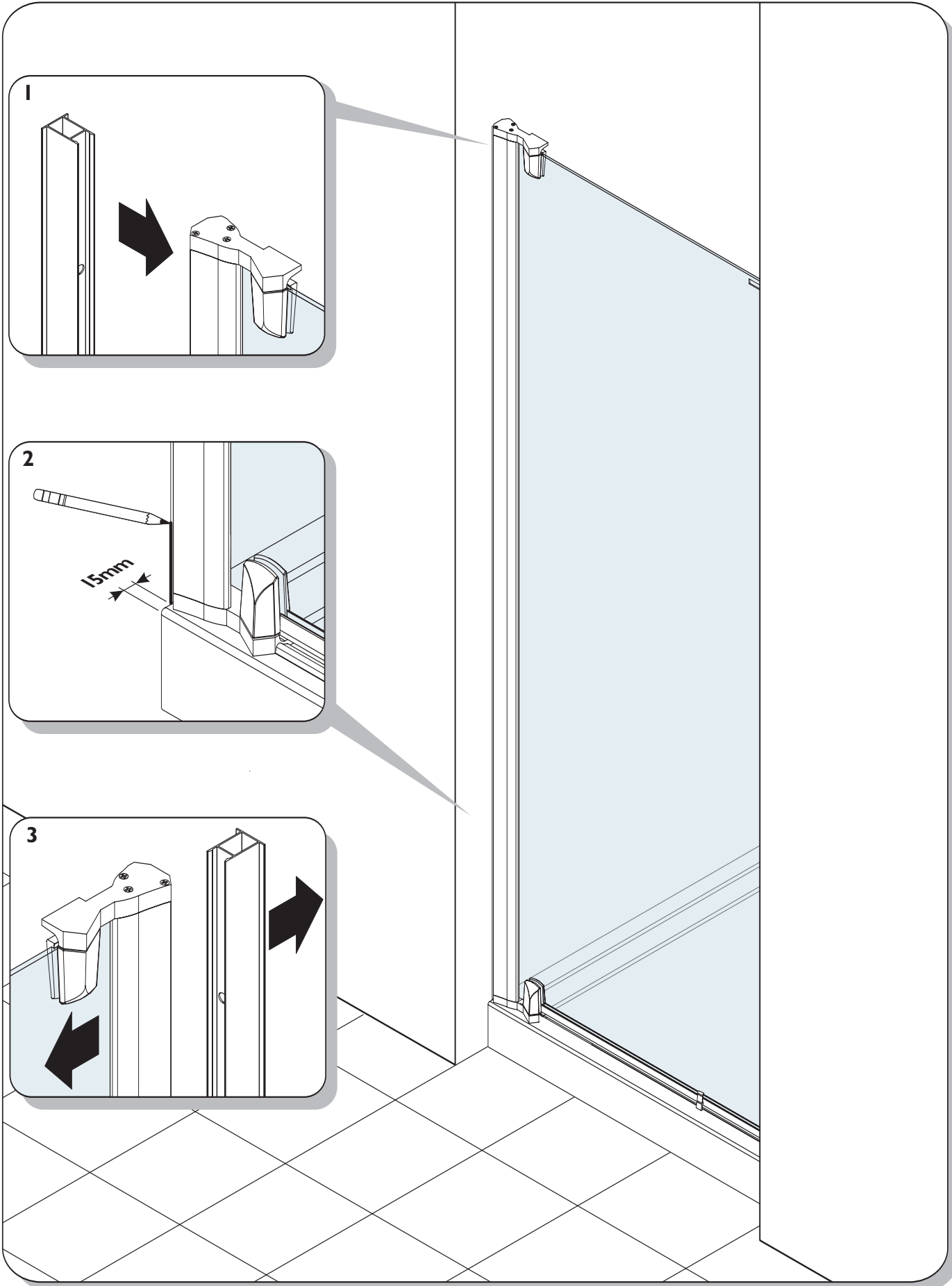
USE SAFETY EYEWEAR WHEN DRILLING

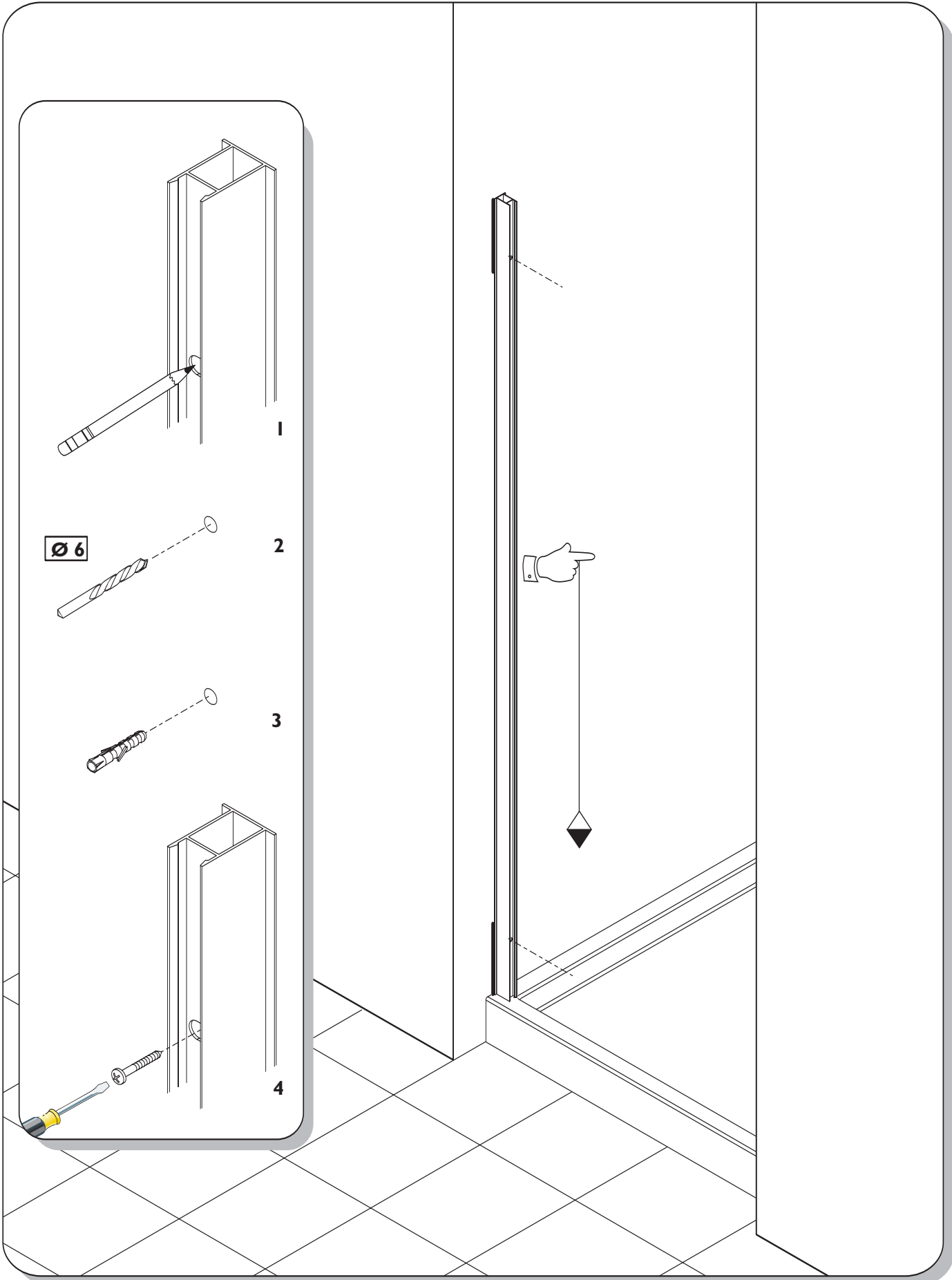
Any parts missing or damaged must be reported to your supplier within 5 days of purchase.
Inspect shower enclosure before fitting no claims will be accepted after product has been installed.

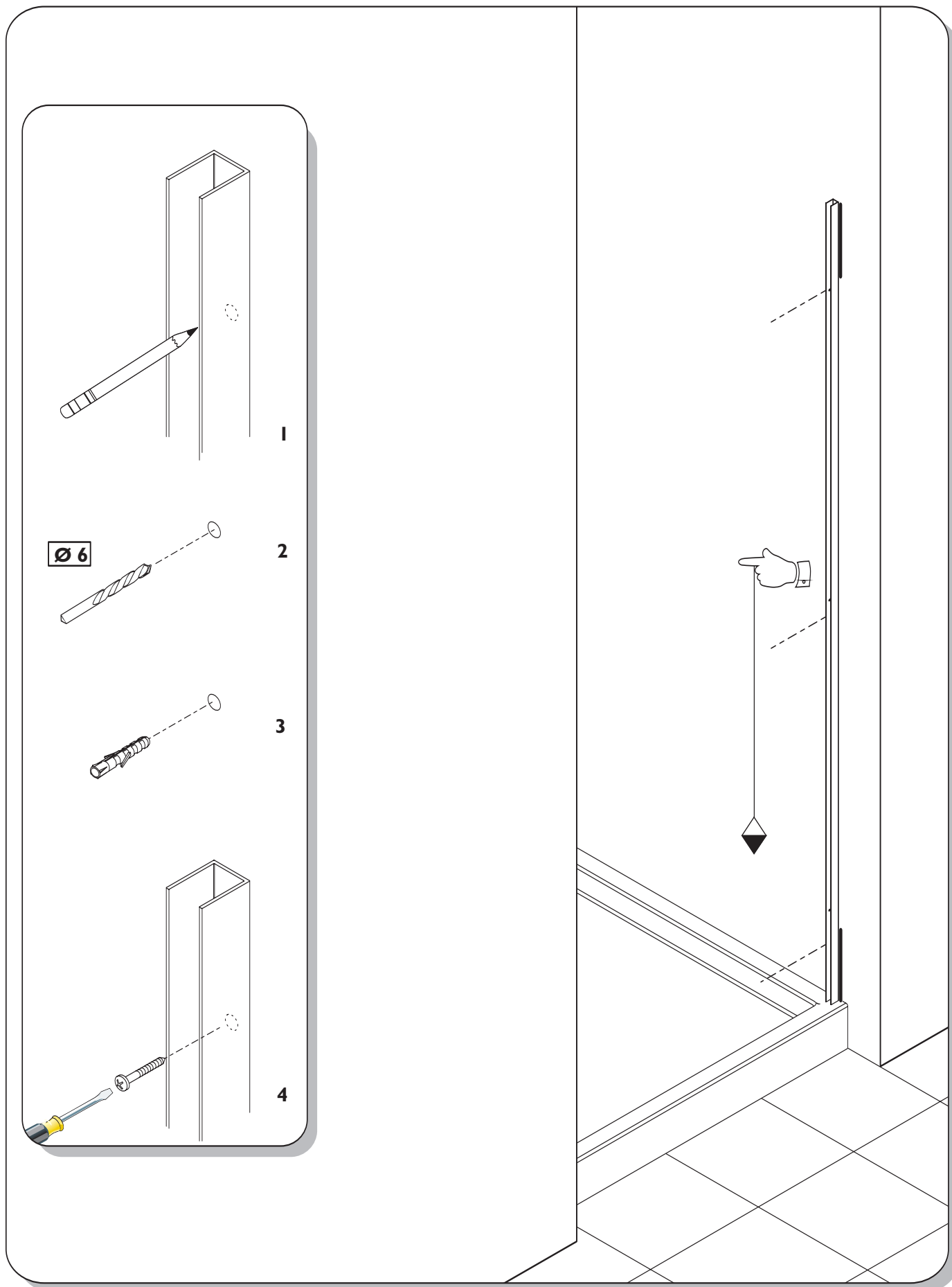


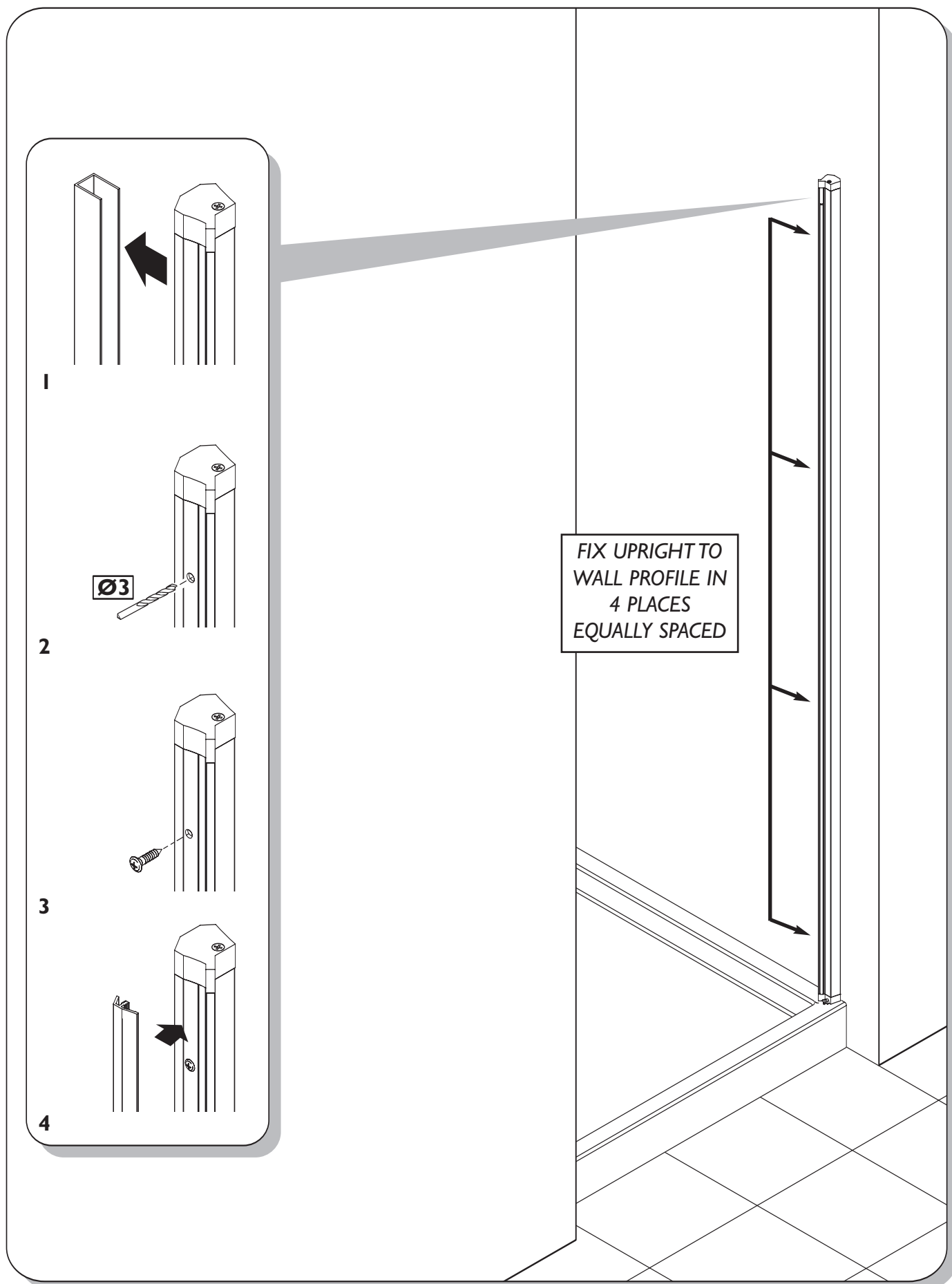
ASSEMBLE WALL PROFILE AND SUPPORT TO DOOR

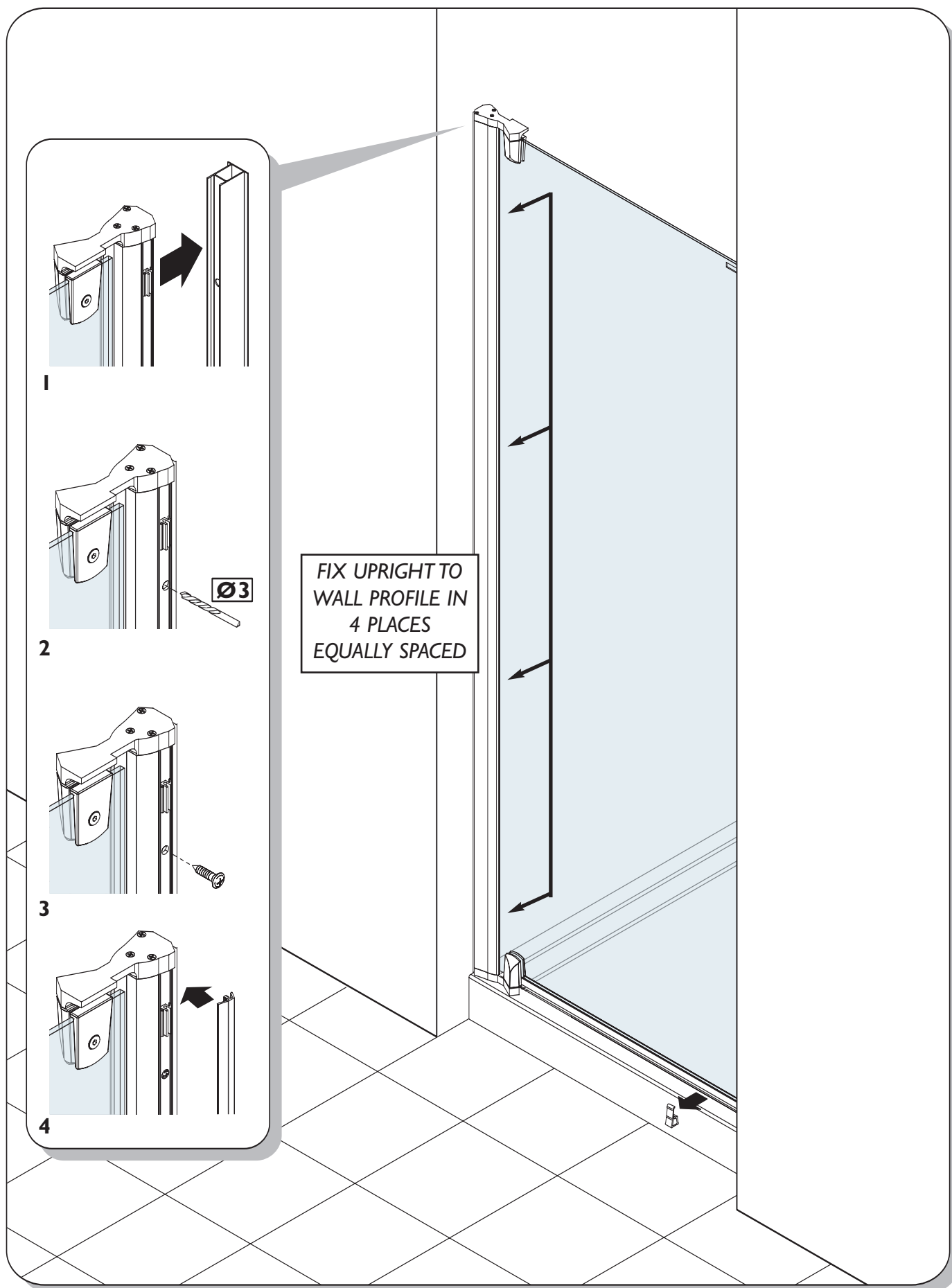


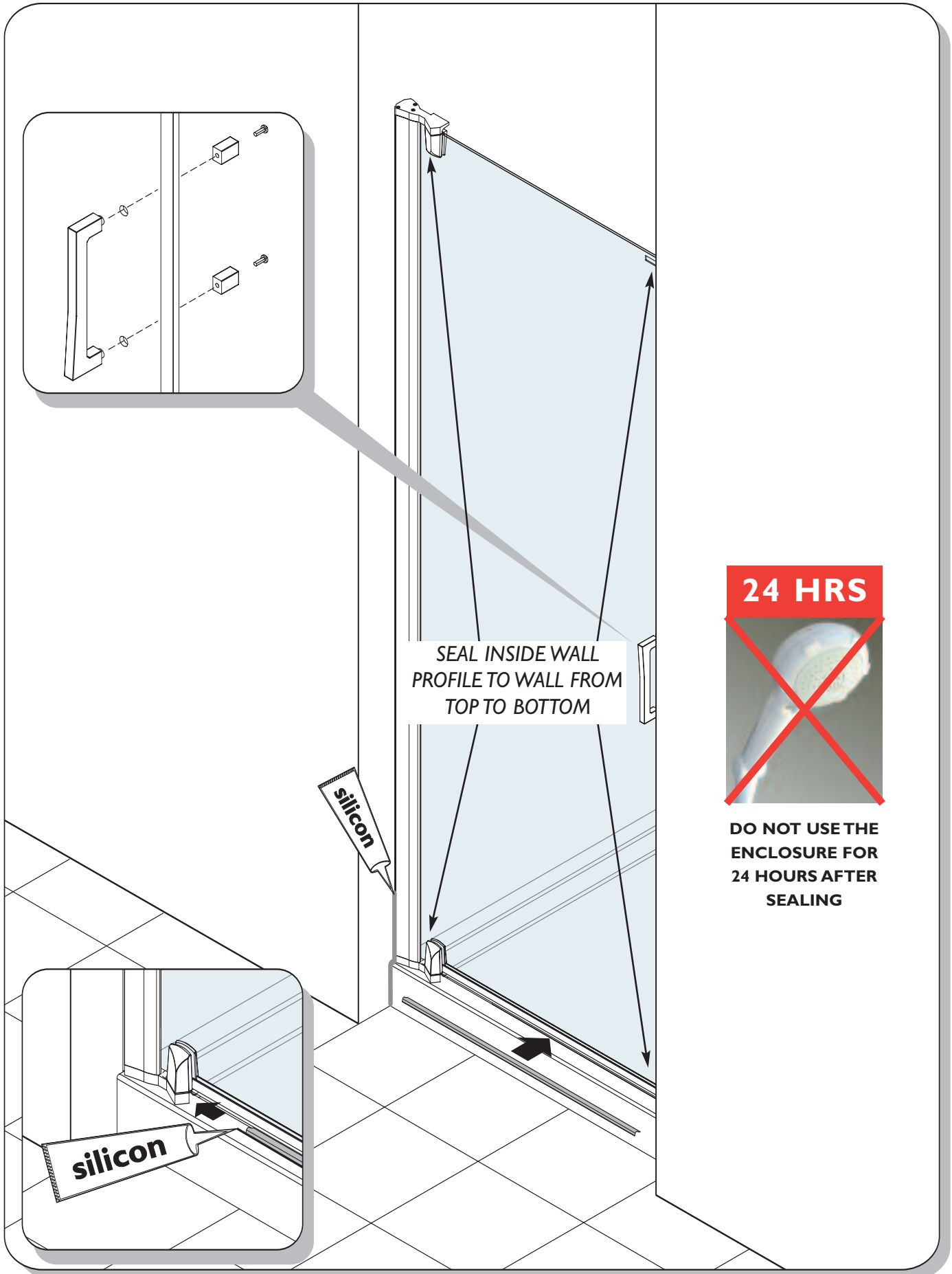












SEAL INSIDE WALL PROFILE TO WALL FROM TOP TO BOTTOM

24 HRS



DO NOT USE THE ENCLOSURE FOR 24 HOURS AFTER SEALING

SERIES 5+ PIVOT DOOR

WE ARE SURE YOU WILL BE PLEASED WITH YOUR NEW MERLYN SHOWER DOOR.

Where a shower door has been installed contrary to these instructions, Merlyn cannot accept responsibility for any loss or damage, however caused, and any on-site service may incur a charge.

www.merlynbathrooms.com 00 353 56 7791555