

# Single Sliding Door

## IMPORTANT

**Thank-you for choosing Merlyn. Please familiarise yourself with the fitting instructions before commencing fitting.**

- 1 Check that you have the tools required
- 2 Check the installation site is compatible with size of door supplied
- 3 Check all the enclosure components
- 4 Check the installation kit is complete

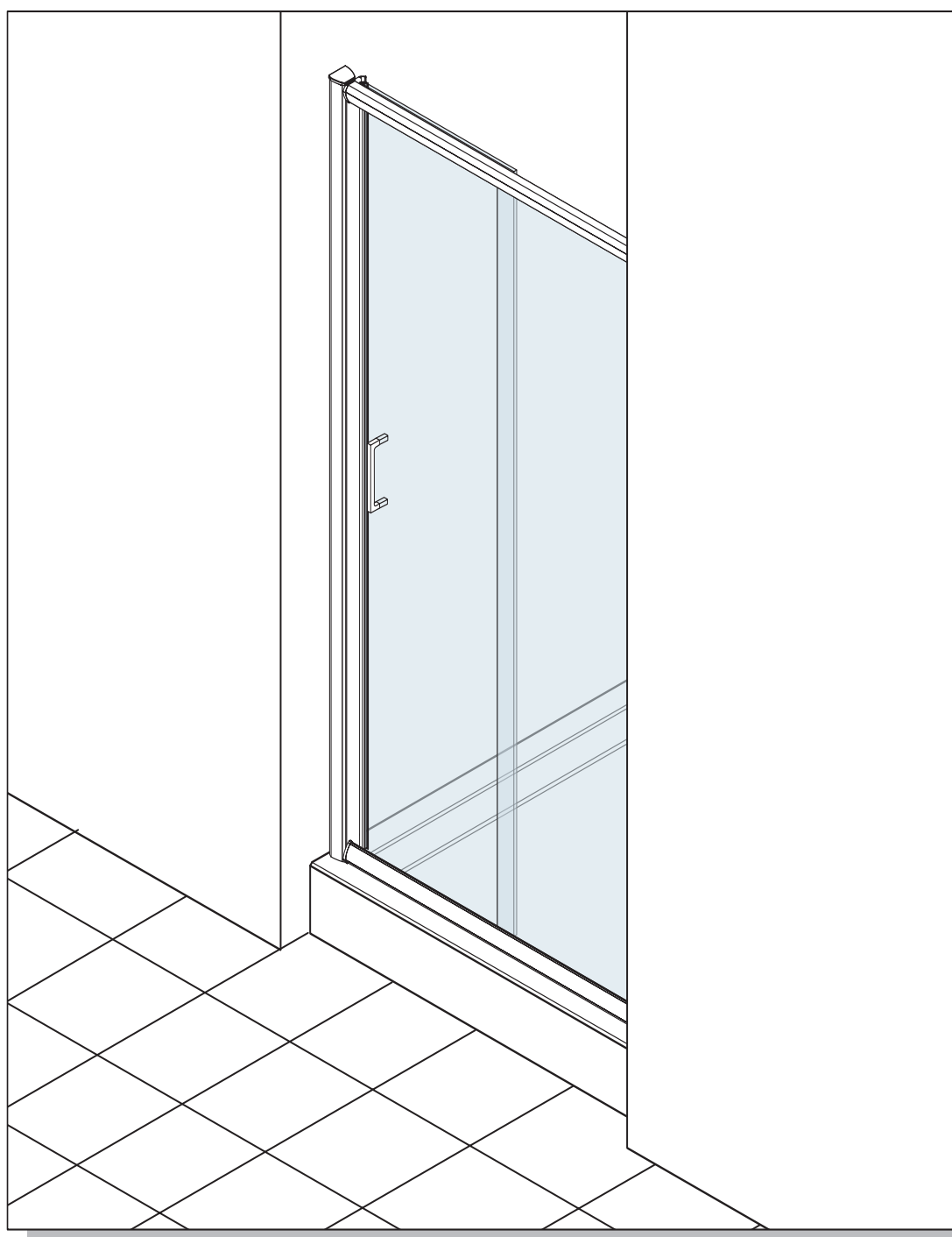
**DO NOT** attempt to install the product unless you can tick **ALL 4** boxes above as satisfactory.

The wall plugs supplied with the installation kit are for use in solid walls. Hollow or 'stud-partition' walls will require alternative fixings. Please consult a hardware supplier for the correct type.

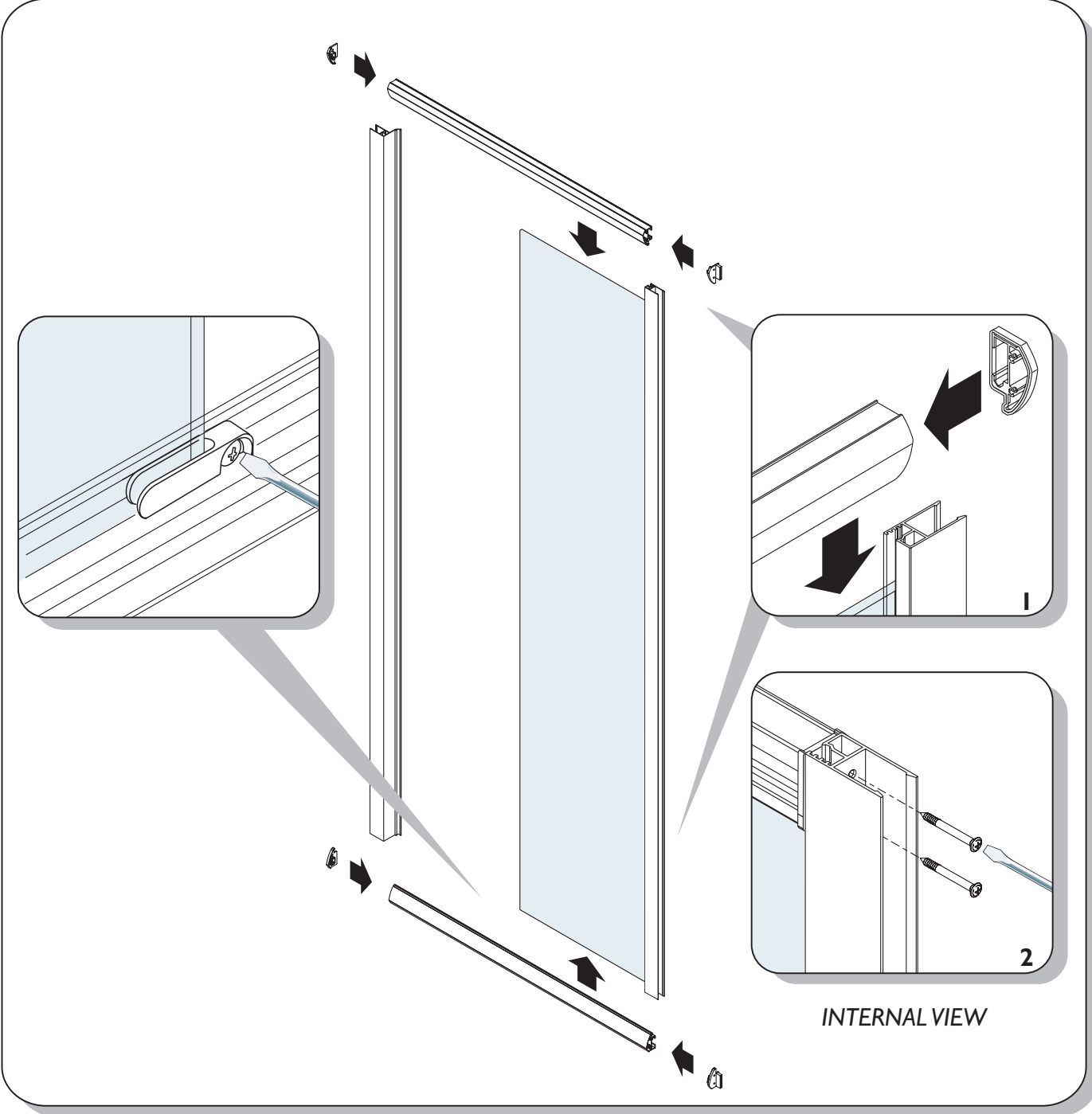
It may also be necessary to consult your tiling supplier about the correct method for drilling your tiles.

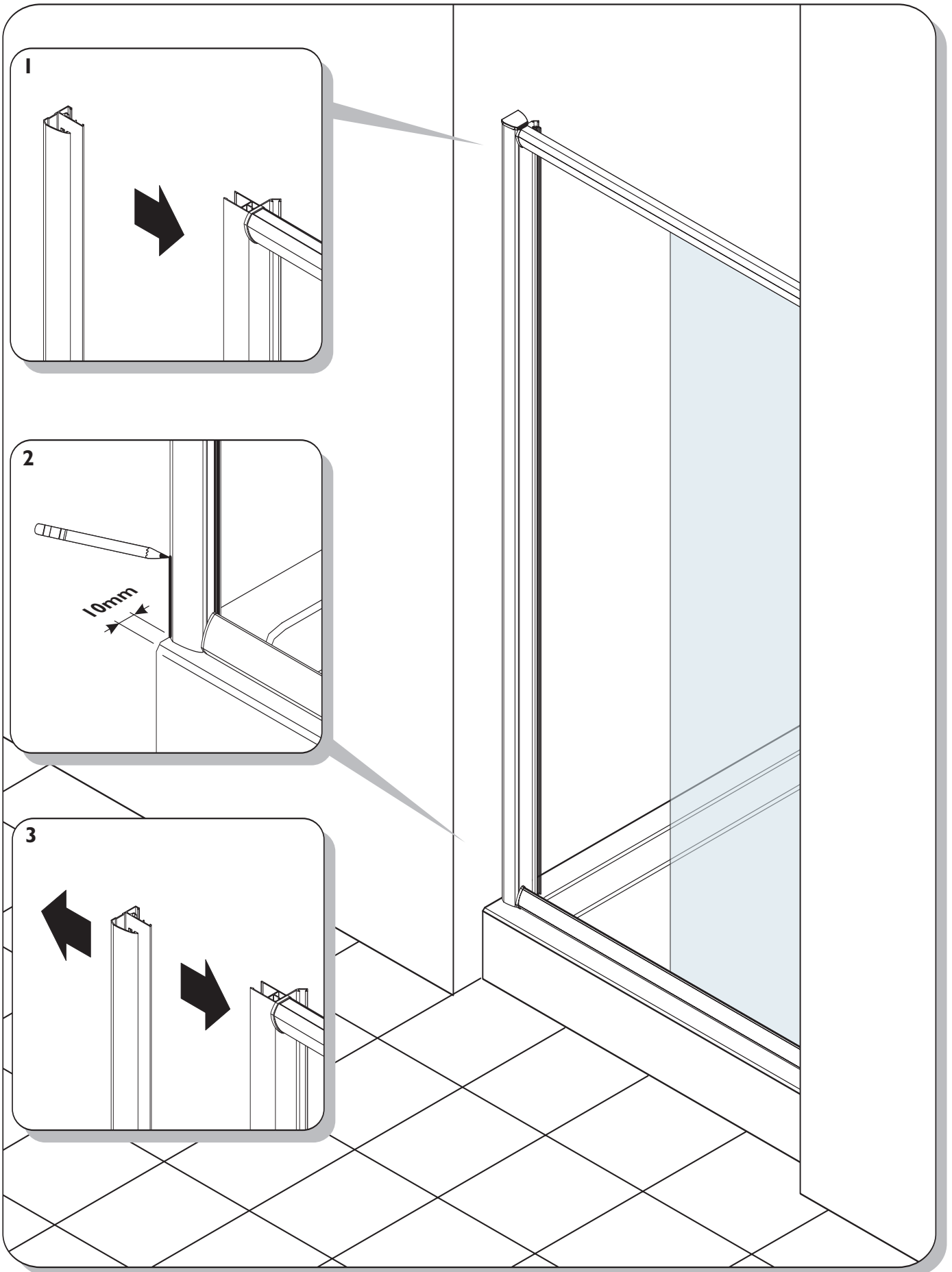
**USE SAFETY EYEWEAR WHEN DRILLING**

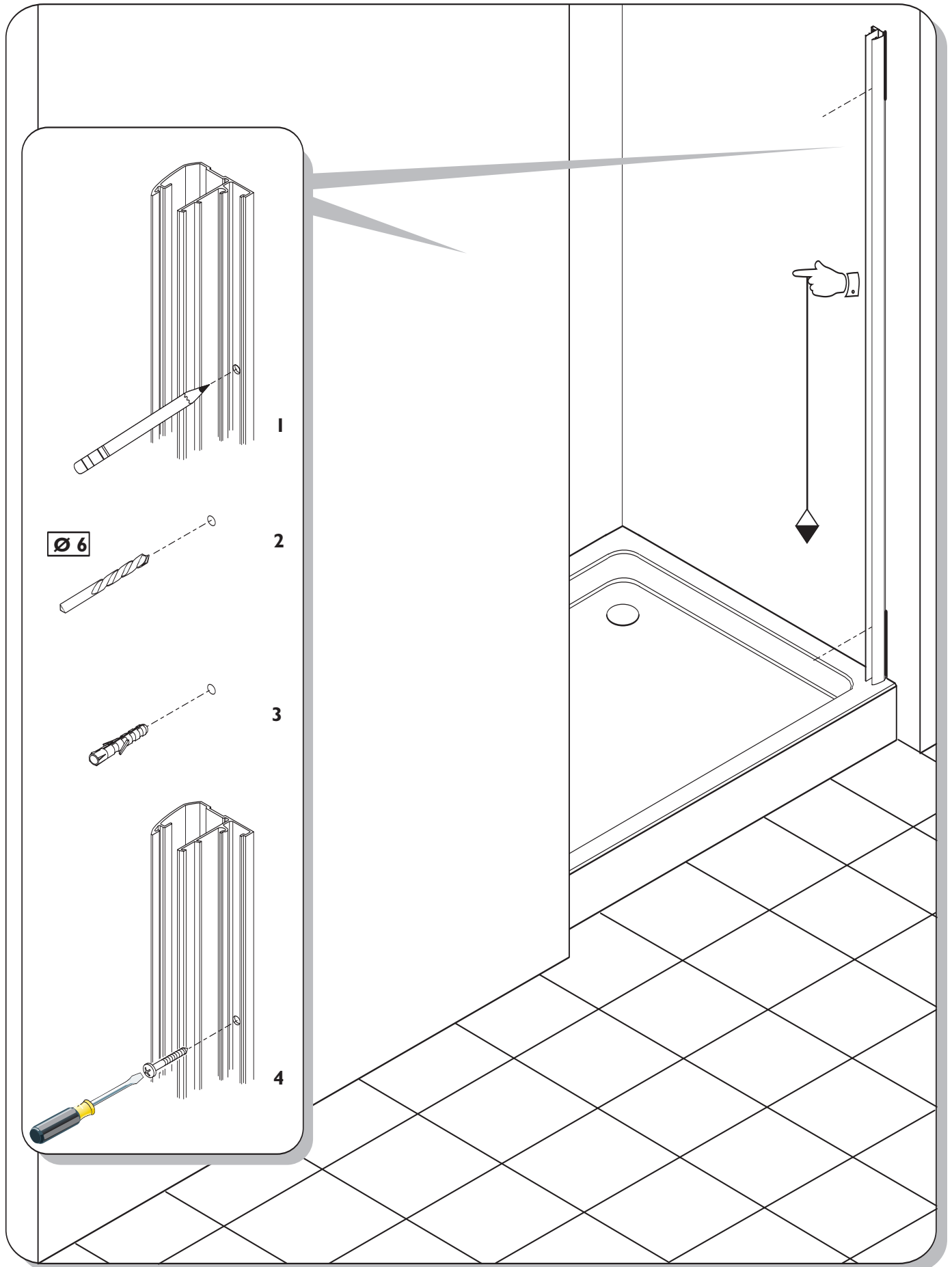
Any parts missing or damaged must be reported to your supplier within 5 days of purchase.  
Inspect shower enclosure before fitting no claims will be accepted after product has been installed.

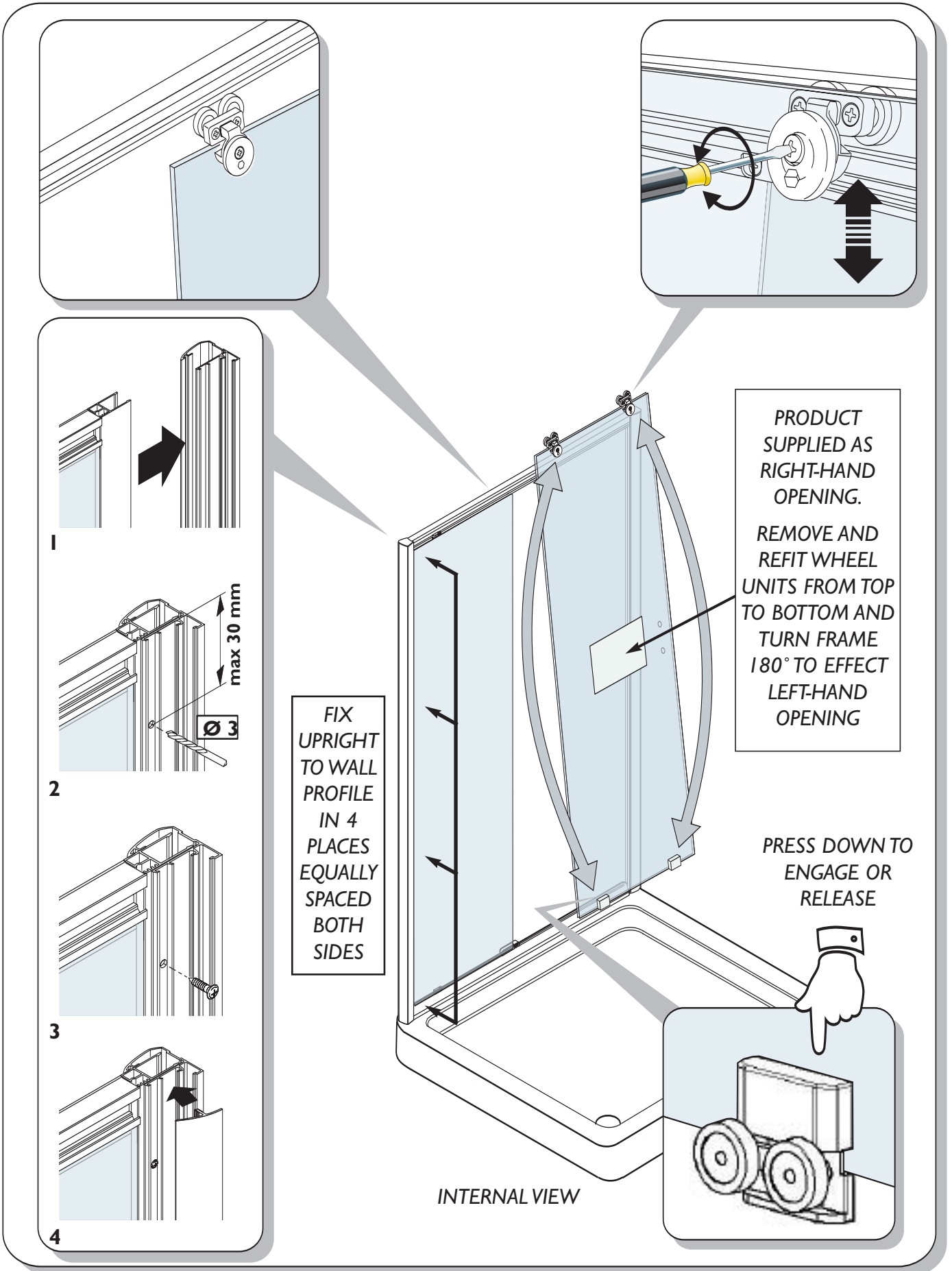


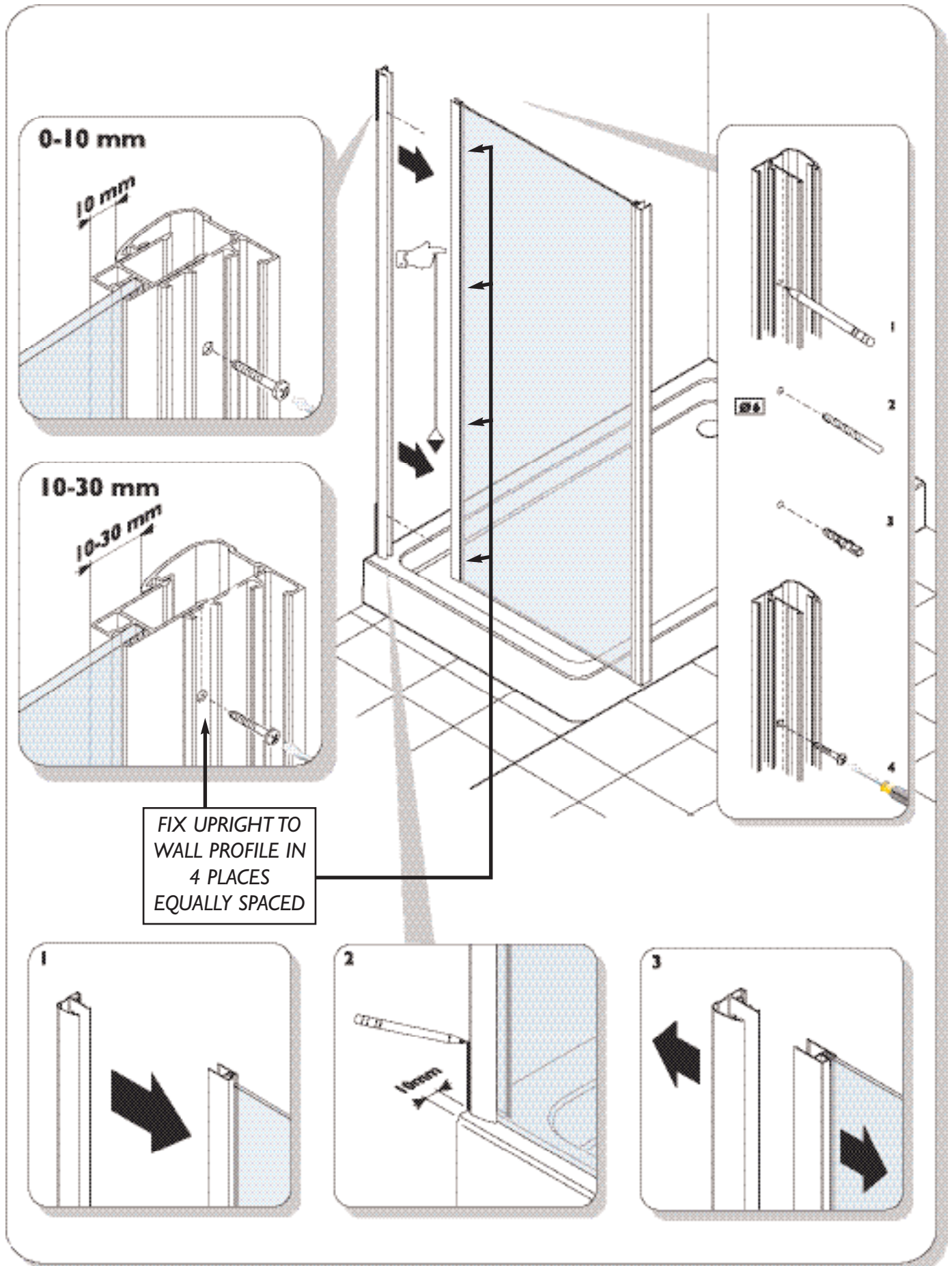
ASSEMBLE FIXED PANEL AND FRAME

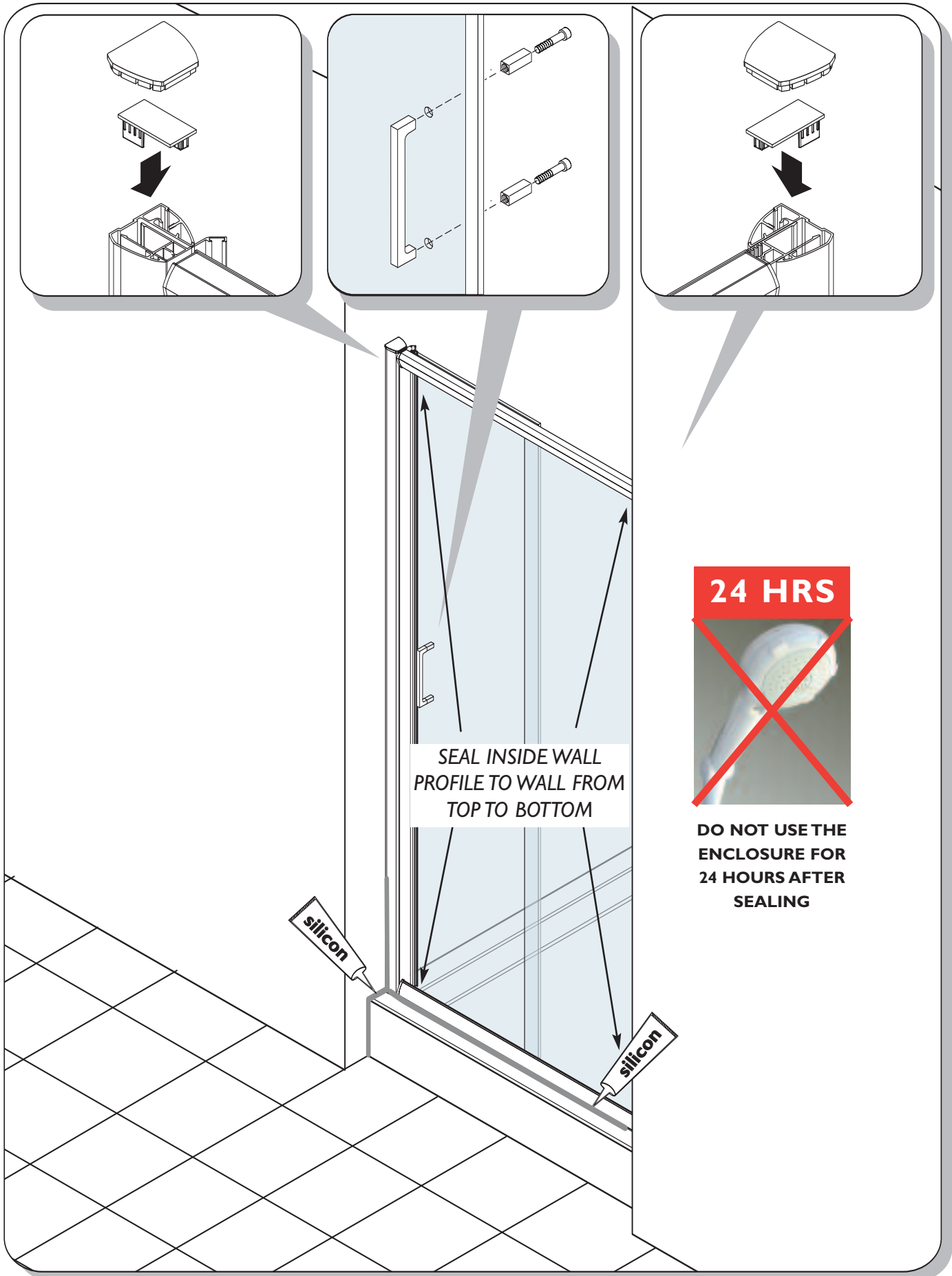












**SERIES 5+ SINGLE SLIDING DOOR**

WE ARE SURE YOU WILL BE PLEASED WITH YOUR NEW MERLYN SHOWER DOOR.

Where a shower door has been installed contrary to these instructions, Merlyn cannot accept responsibility for any loss or damage, however caused, and any on-site service may incur a charge.

[www.merlynbathrooms.com](http://www.merlynbathrooms.com) 00 353 56 7791555